

[Http:// www.trumy.cn](http://www.trumy.cn)



TRUMY FASTENERS FASTENING THE WORLD

ZHENJIANG TRUMY INDUSTRIAL CO., LTD.



[Http:// www.trumy.cn](http://www.trumy.cn)

FASTENERS FASTENING THE WORLD

ZHENJIANG TRUMY INDUSTRIAL CO., LTD.

Add: 9/F No.45 Zhongshan East Road. Zhenjiang,
Jiangsu, China 212001

Tel: +86-511-85020838 Fax: +86-511-85020208 85020647

Contact: Wu changsheng Mobile: +86-13905282606

E-mail: wcs@vip.sina.com wcs@trumy.cn

Website: www.trumy.cn





Introduction

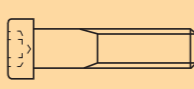

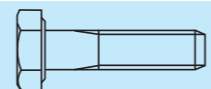
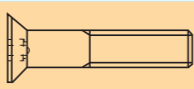


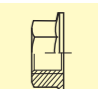
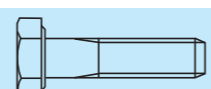
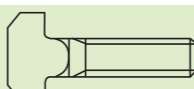


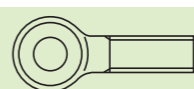
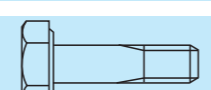
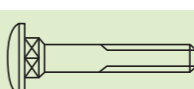

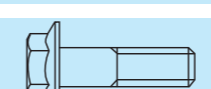
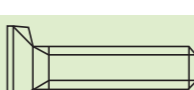
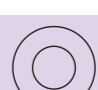

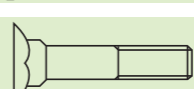

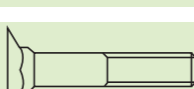

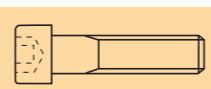

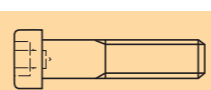

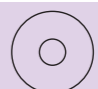
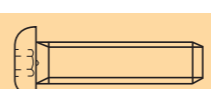
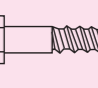
ZHENJIANG TRUMY INDUSTRIAL CO.,LTD, established in 1992, is one of the leading manufacturers and exporters of Fasteners & screws in China. With more than 10 years' experience of manufacturing and exporting our products to more than twenty countries, such as Europe, Southeast Asia, Middle East and South-America, we provide consistently our customers with high quality products, reasonable price and best services. TRUMY has approved ISO 9001 certification and our products have approved CE, UL, CSA, QS9000 certification.

Trumy is now seeking strategic long-term business partners worldwide to further develop its international market shares. If you are interested in our company and products collection, our strict management and QA/QC systems will fulfill your needs, and our creditability, efficiency and innovation will clear your doubts.

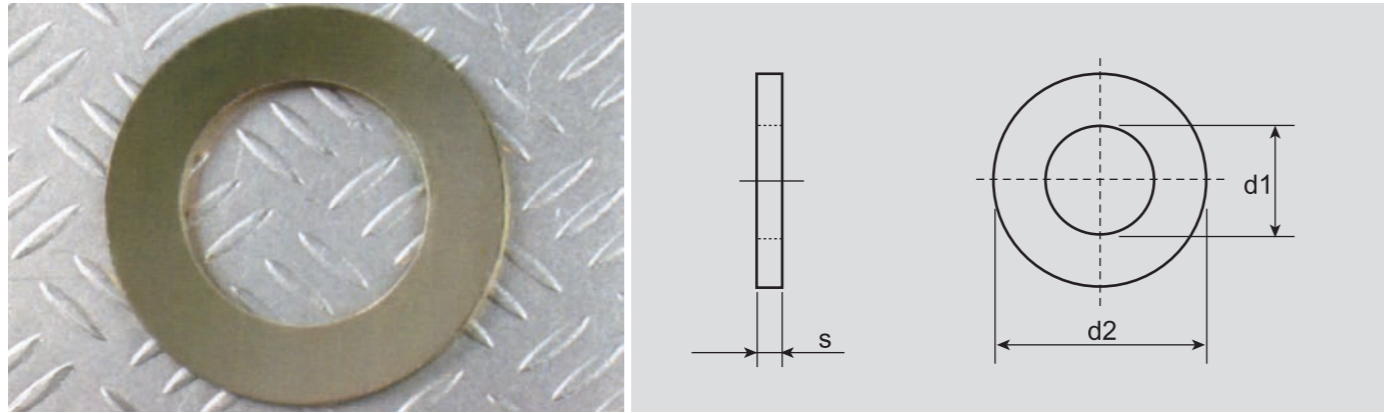
We always believe that our success and customer's satisfaction come from the reliable quality of our products, and the reliable quality comes from our strict management and QA/QC systems.

If you want to get any further information about our company, you are welcome to visit us.

CONTENTS

Hexagonal Head Bolts				DIN 7984	14		DIN 985	10
	DIN 931	06		DIN 7991	15		DIN 6915	11
	DIN 933	07	Other Metric Screws				DIN 6923	13
	DIN 960	09		DIN 186-B	02		ASTM Nuts	16
	DIN 961	09		DIN 444-B	03	Washers		
	DIN 6914	11		DIN 603	04		DIN 125A	01
	DIN 6921	12		DIN 604	04		DIN 126	01
	DIN7990	14		DIN 605	05		DIN 127B	02
Hexagonal Socket Head Cap Screws				DIN 608	05		DIN 6916	12
	DIAN 912	06	Nuts				DIN 934	07
	DIN 6912	10		DIN 936	08		DIN 9021	15
	DIN 7380	13	Hexagon Head Wood Screws				DIN 571	03
OEM Fasteners and Compnents								17
SCREW SERIES								18-26
BOLT SERIES								27-29
ANCHOR SERIES								30-38
NAIL SERIES								39
THREADED ROD SERIES								40-42

Plain Washers without Chamfer



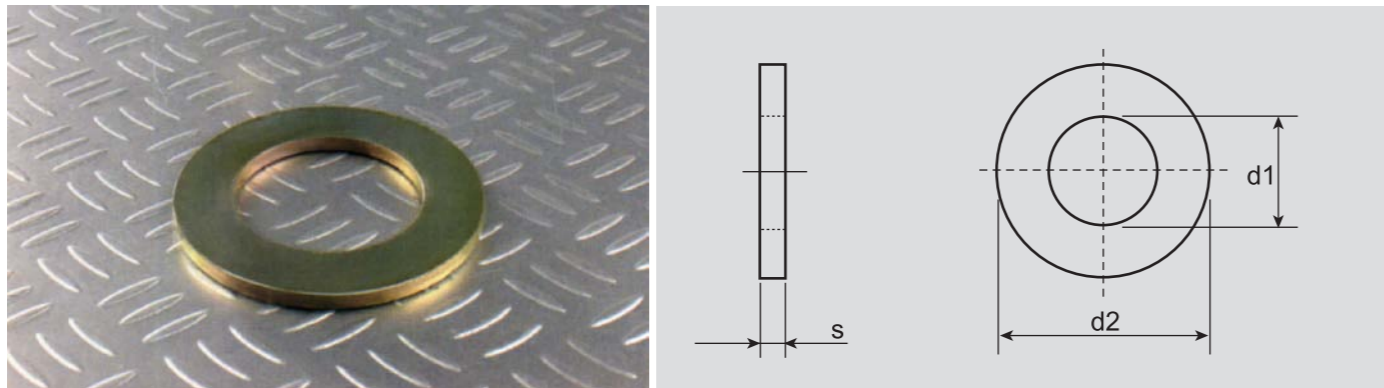
d nom.	M3	M4	M5	M6	M7	M8	M10	M12	M14	M16	M18	M20	M22	M24	M27
d ₁	3.2	4.3	5.3	6.4	7.4	8.4	10.5	13	15	17	19	21	23	25	28
d ₂	7	9	10	12	14	16	20	24	28	30	34	37	39	44	50
s	0.5	0.8	1	1.6	1.6	1.6	2	2.5	2.5	3	3	3	3	4	4
	0.119	0.308	0.443	1.020	1.390	1.830	3.570	6.270	8.600	11.30	14.70	17.20	18.40	32.30	43.70

d nom.	M30	M33	M36	M39	M42	M45	M48	M52	M56	M60	M64
d ₁	31	34	37	40	43	46	50	54	58	62	66
d ₂	56	60	66	72	78	85	92	98	105	110	115
s	4	5	5	6	7	7	8	8	9	9	9
	53.60	75.30	92.10	133	183	220	294	330	425	458	492

ST/HV100	HV140	FST	C45	A2	A4
●	●			●	●

DIN 126
ISO 7091

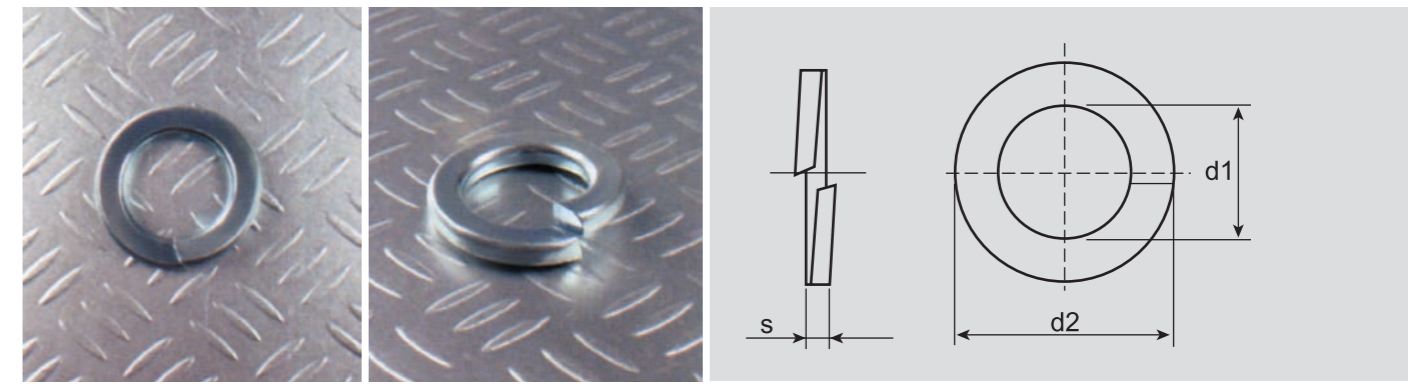
Plain Washers



d nom.	M5	M6	M8	M10	M12	M14	M16	M18	M20	M22	M24	M27	M30
d ₁	5.5	6.6	9	11	13.5	15.5	17.5	20	22	24	26	30	33
d ₂	10	12	16	20	24	28	30	34	37	39	44	50	56
s	1	1.6	1.6	2	2.5	2.5	3	3	3	3	4	4	4
	0.430	0.991	1.730	3.440	6.070	8.380	11.00	14.00	16.40	17.50	31.10	39.50	50.50

ST/HV100	HV140	FST	C45	A2	A4
●	●			●	●

Spring Lock Washers

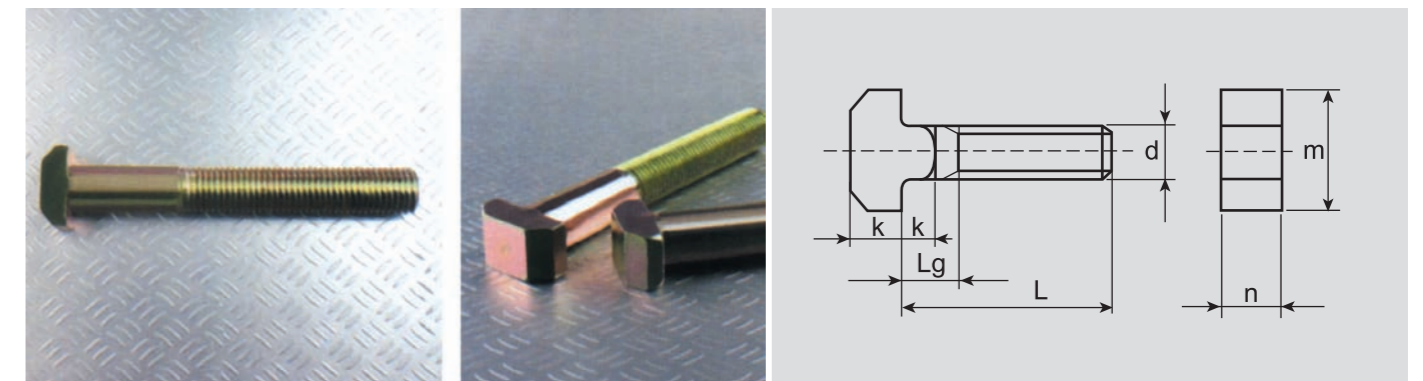


d nom.	M3	M4	M5	M6	M7	M8	M10	M12	M14	M16	M18	M20	M22	M24	M27
d ₁	3.1	4.1	5.1	6.1	7.1	8.1	10.2	12.2	14.2	16.2	18.2	20.2	22.5	24.5	27.5
d ₂	6.2	7.6	9.2	11.8	12.8	14.8	18.1	21.1	24.1	27.4	29.4	33.6	35.9	40	43
s	0.8	0.9	1.2	1.6	1.6	2	2.2	2.5	3	3.5	3.5	4	4	5	5
	0.110	0.180	0.360	0.830	0.930	1.600	2.530	3.820	6.010	8.910	9.730	15.20	16.50	26.20	28.70

d nom.	M30	M36	M39	M42	M45	M48	M52
d ₁	30.5	36.5	39.5	42.5	45.5	49	53
d ₂	48.2	58.2	61.2	68.2	71.2	75	83
s	6	6	6	7	7	7	8
	44.30	67.30	71.70	111.00	117.00	123.00	182.00

ST/HV100	HV140	FST	C45	A2	A4
		●		●	●

T- head Bolts with Square Neck



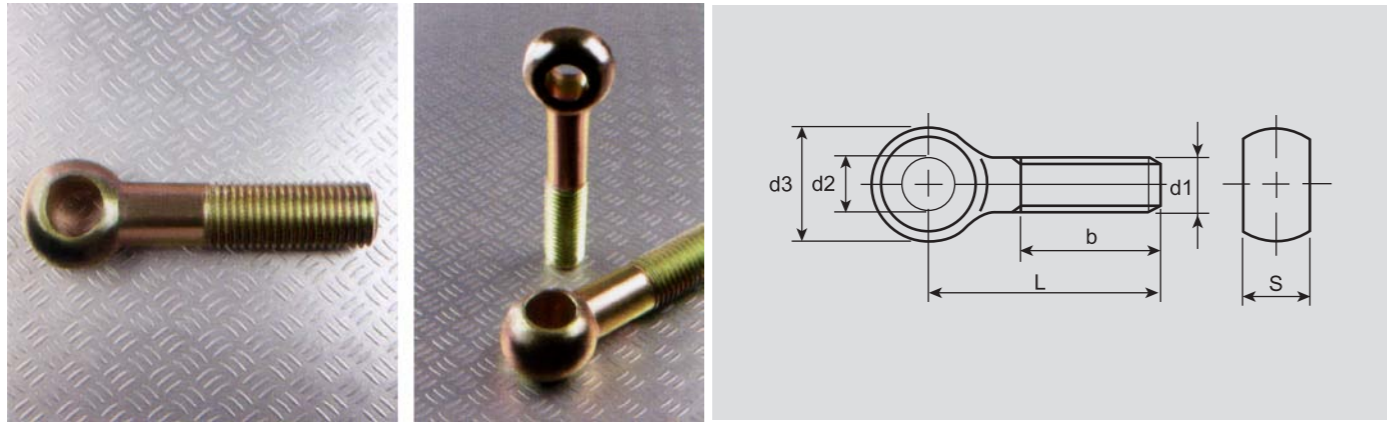
d	M6	M8	M10	M12	M16	M20	M24	M30	M36	M42	M48
P	1	1.25	1.5	1.75	2	2.5	3	3.5	4	4.5	5
Lg(max)	-	13	16	19	25	31	37	43	55	60	72
k	4.5	5.5	7	8	10.5	13	15	19	20	26	30
n	6	8	10	12	16	20	24	30	36	42	48
m	16	18	21	26	30	36	43	54	66	80	88

Length: 30, 40, 50, 60, 70, 80, 90, 100, 120, 140, 160, 180, 200 mm

4.6	4.8	5.6	5.8	6.8	8.8	10.9	12.9	A2	A4
	●				●			●	

DIN 186-B

Eye Bolts



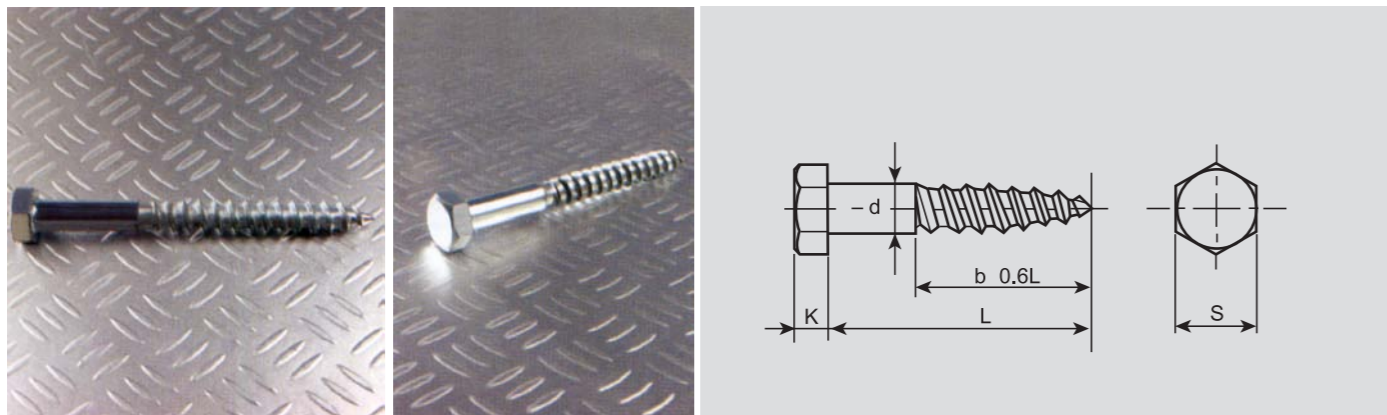
d ₁	M5	M6	M8	M10	M12	M16	M20	M24	M27	M30	M33	M36	M39
P	0.8	1	1.25	1.5	1.75	2	2.5	3	3	3.5	3.5	4	4
b ⁽¹⁾ 1)	1.6	18	22	26	30	38	46	54	60	66	-	-	-
2)	-	-	28	32	36	44	52	60	66	72	78	84	90
3)	-	-	-	-	49	57	65	73	79	85	91	97	103
d ₂ (H9)	5	6	8	10	12	16	18	22	25	28	30	32	35
d ₃ (max)	12	14	18	20	25	32	40	45	50	55	60	65	70
s (max)	6	7	9	12	14	17	22	25	27	30	34	38	41

Length: 30, 40, 50, 60, 70, 80, 90, 100, 120, 140, 160, 180, 200, 220, 240, 260, 280, 300 mm

(1) L ≤ 125 mm, (2) 125 mm < L ≤ 200 mm, (3) L > 200 mm

4.6	4.8	5.6	5.8	6.8	8.8	10.9	12.9	A2	A4
●	●				●	●		●	●

Hexagon head Wood Screws



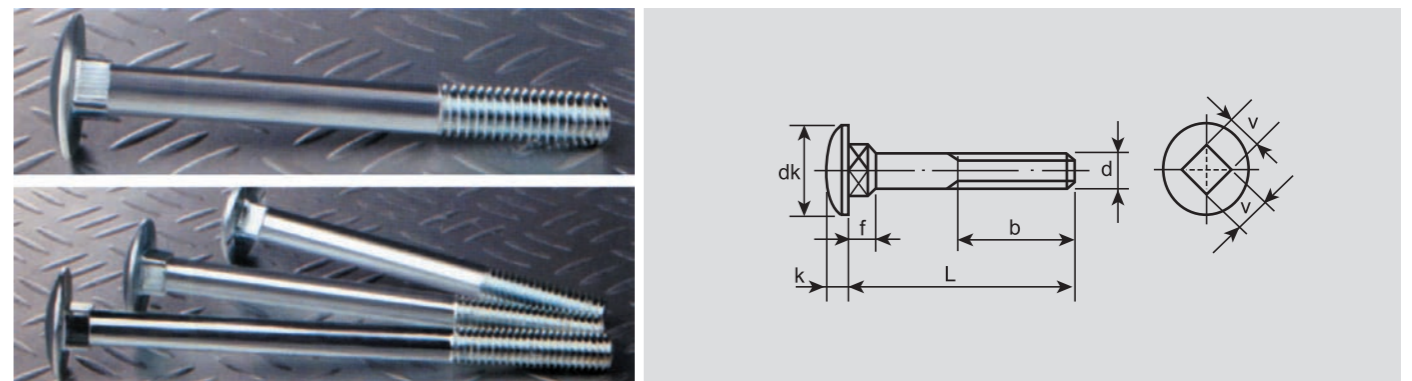
d	5	6	8	10	12	16	20
k	3.5	4	5.5	7	8	10	13
s	8	10	13	17	19	24	30

Length: 19, 20, 25, 30, 35, 40, 45, 50, 55, 60, 65, 70, 75, 80, 90, 100, 110, 120, 130, 140, 150, 160, 170, 180, 190, 200 mm

4.6	4.8	5.6	5.8	6.8	8.8	10.9	12.9	A2	A4
●	●							●	●

DIN 571

Mushroom Head Square Neck Bolts (Cup Square Neck Bolts)



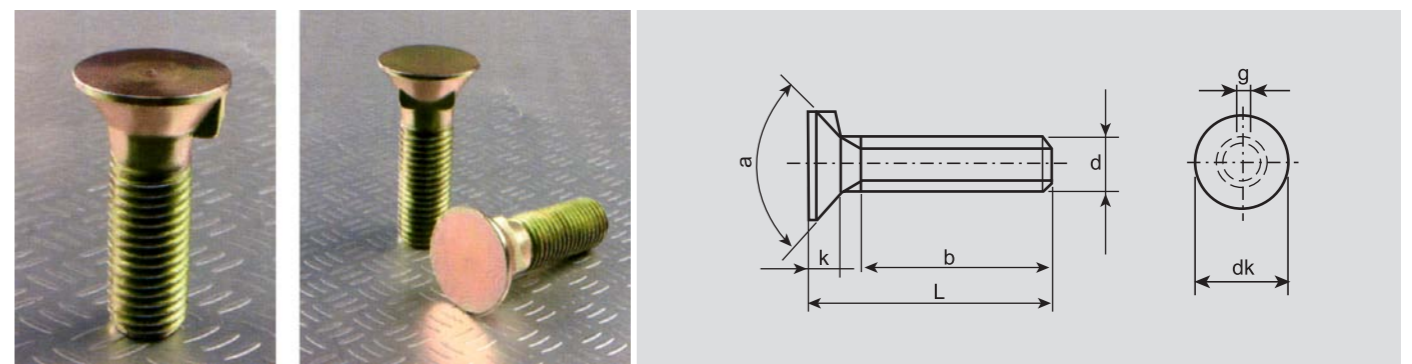
d	M5	M6	M8	M10	M12	M16	M20
P	0.8	1	1.25	1.5	1.75	2	2.5
b ⁽¹⁾ 1)	16	18	22	26	30	38	46
2)	22	24	28	32	36	44	52
3)	-	-	41	45	49	57	65
dk (max)	13.55	16.55	20.65	24.65	30.65	38.8	46.8
f (max)	4.1	4.6	5.6	6.6	8.75	12.9	15.9
k (max)	3.3	3.88	4.88	5.38	6.95	8.95	11.05
v (max)	5.48	6.48	8.58	10.58	12.7	16.7	20.84

Length: 16, 20, 25, 30, 35, 40, 45, 50, 55, 60, 65, 70, 80, 90, 100, 110, 120, 130, 140, 150, 160, 180, 200 mm

(1) L ≤ 125 mm, (2) 125 mm < L ≤ 200 mm, (3) L > 200 mm

4.6	4.8	5.6	5.8	6.8	8.8	10.9	12.9	A2	A4
●	●				●			●	●

Flat Countersunk Nib Bolts



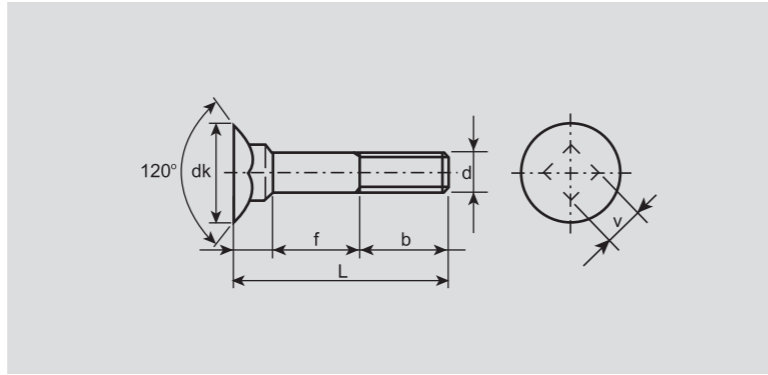
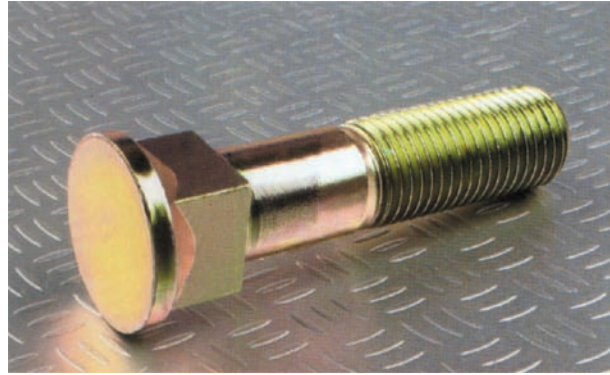
d	M6	M8	M10	M12	M16	M20	M24
P	1	1.25	1.5	1.75	2	2.5	3
b ⁽¹⁾ 1)	18	22	26	30	38	46	54
2)	24	28	32	36	44	52	60
3)	-	41	45	49	57	65	73
dk (max)	12.55	16.55	19.65	24.65	32.8	32.8	38.8
k	4	5	5.5	7	9	11.5	13
g (max)	2.5	3	3.2	3.6	4.2	5.4	6.6
a (max)	90°	90°	90°	90°	90°	60°	60°

Length: 20, 25, 30, 35, 40, 45, 50, 55, 60, 65, 70, 80, 90, 100, 110, 120, 130, 140, 150, 160 mm

(1) L ≤ 125 mm, (2) 125 mm < L ≤ 200 mm, (3) L > 200 mm

4.6	4.8	5.6	5.8	6.8	8.8	10.9	12.9	A2	A4
●	●				●			●	●

Flat Countersunk Square Neck Bolts



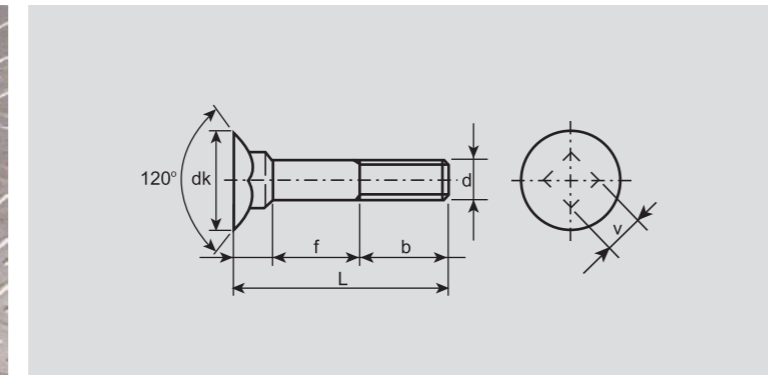
d	M6	M8	M10
P	1	1.25	1.5
b ⁽¹⁾	18	22	26
dk (max)	16.55	20.65	24.65
f(max)	7.45	9.45	11.55
v (max)	6.48	8.58	10.58

Length: 30, 35, 40, 45, 50, 55, 60, 65, 70, 80, 90, 100 mm

(1) Guide value represents minimum thread length.

4.6	4.8	5.6	5.8	6.8	8.8	10.9	12.9	A2	A4
	●				●	●			

Flat Countersunk Square Neck Bolts



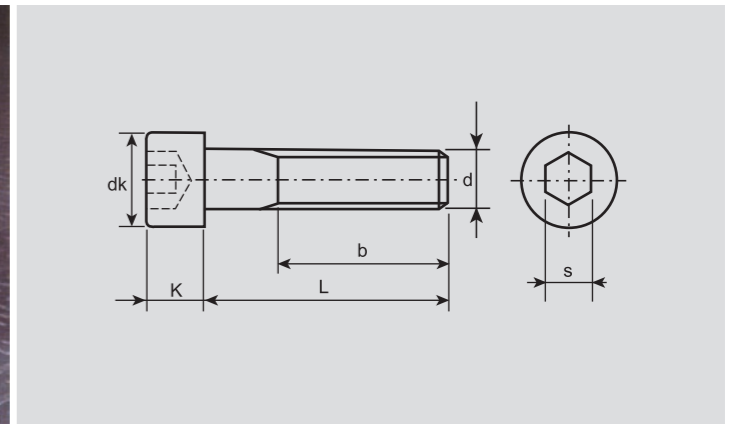
d	M10	M12
P	1.5	1.75
b	26	30
dk (max)	19.65	24.65
f(max)	8.45	11.05
v (max)	10.58	12.7

Length: 25, 30, 35, 40, 45, 50 mm

4.6	4.8	5.6	5.8	6.8	8.8	10.9	12.9	A2	A4
	●				●				

DIN 608

Hexagon Socket Head Cap Screws



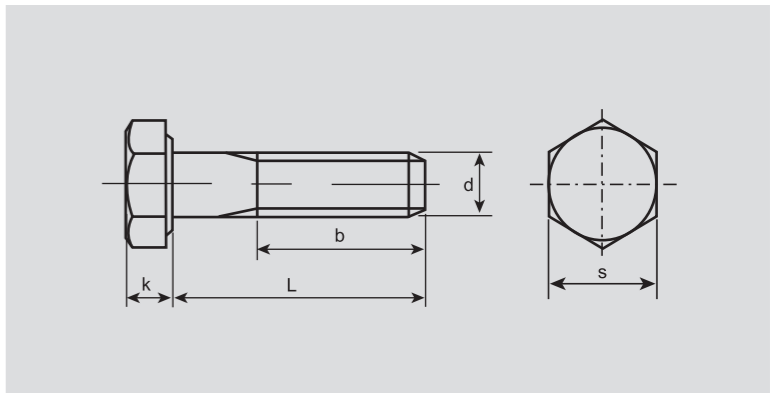
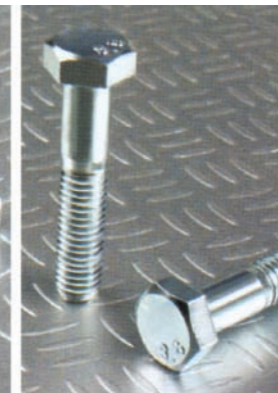
d	M3	M4	M5	M6	M8	M10	M12	M14	M16	M18
P	0.5	0.7	0.8	1	1.25	1.5	1.75	2	2	2.5
b*	18	20	22	24	28	32	36	40	44	48
dk (max)	5.5	7	8.5	10	13	16	18	21	24	27
k(max)	3	4	5	6	8	10	12	14	16	18
s	2.5	3	4	5	6	8	10	12	14	14

Length: 5, 6, 9, 10, 12, 16, 20, 25, 30, 35, 40, 45, 50, 55, 60, 65, 70, 80, 90, 100, 110, 120, 130, 140, 150, 160 mm

b*: Size b is a guide value, it amounts to the minimum length of the threaded part. Per diameter (d) are lengths (L) above the dotted line threaded up to the head.

4.6	4.8	5.6	5.8	6.8	8.8	10.9	12.9	A2	A4
					●	●	●	●	●

Hexagon Set Screws, Partially Threaded



d	M4	M5	M6	M7	M8	M10	M12	M14	M16	M18	M20	M22	M24	M27	M30	M33	M36	M39	M42	M45	M48	M52	M56	M60	M64
P	0.7	0.8	1	1	1.25	1.5	1.75	2	2	2.5	2.5	3	3	3.5	3.5	4	4	4.5	4.5	5	5	5.5	5.5	6	
b ⁽¹⁾	14	16	18	20	22	26	30	34	38	42	46	50	54	60	66	72	78	84	90	96	102	-	-	-	
2)	-	22	24	26	28	32	36	40	44	48	52	56	60	66	72	78	84	90	96	102	108	116	124	132	140
3)	-	-	-	-	-	45	49	53	57	61	65	69	73	79	85	91	97	103	109	115	121	129	137	145	153
k	2.8	3.5	4	4.8	5.3	6.4	7.5	8.8	10	11.5	12.5	14	15	17	18.7	21	22.5	25	26	28	30	33	35	38	40
s	7	8	10	11	13	17/16*	19/18*	22/21*	24	27	30	32/34*	36	41	46	50	55	60	65	70	75	80	85	90	95

Length: 25, 28, 30, 35, 40, 45, 50, 55, 60, 65, 70, 75, 80, 85, 90, 95, 100, 110, 120, 130, 140, 150, 160, 170, 180,

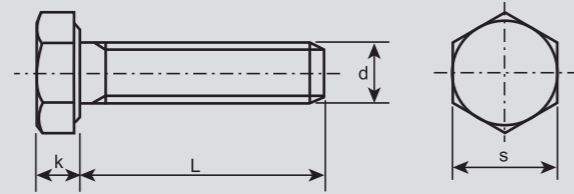
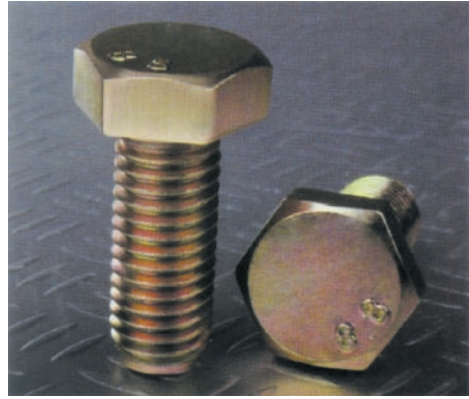
190, 200, 220, 240, 260, 280, 300, 320, 340, 360 mm

b¹⁾: (1) L ≤ 125 mm. (2) 125 mm < L ≤ 200 mm. (3) L > 200 mm

*Sizes as per ISO standard.

4.6	4.8	5.6	5.8	6.8	8.8	10.9	12.9	A2	A4
					●	●	●	●	●

Hexagon Bolts, Fully Threaded



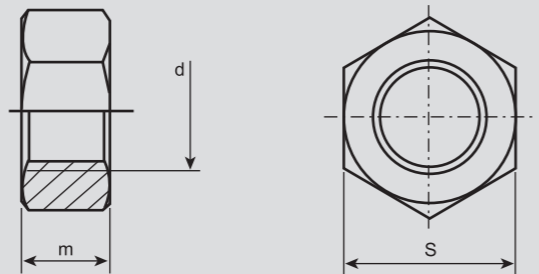
d	M3	M4	M5	M6	M7	M8	M10	M12	M14	M16	M18	M20	M22
h	0.5	0.7	0.8	1	1	1.25	1.5	1.75	2	2	2.5	2.5	2.5
s	2	2.8	3.5	4	4.8	5.3	6.4	7.5	8.8	10	11.5	12.5	14
k	5.5	7	8	10	11	13	17/16*	19/18*	22/21*	24	27	30	32/34*
d	M24	M27	M30	M33	M36	M39	M42	M45	M48	M52			
h	3	3	3.5	3.5	4	4	4.5	4.5	5	5			
s	15	17	18.7	21	22.5	25	26	28	30	33			
k	36	41	46	50	55	60	65	70	75	80			

Length: 4, 5, 6, 7, 8, 10, 12, 14, 16, 18, 20, 22, 25, 28, 30, 35, 40, 45, 50, 55, 60, 65, 70, 75, 80, 85, 90, 95, 100, 110, 120, 130m 140, 150, 160, 170, 180, 190, 200 mm

*Sizes as per ISO standard.

4.6	4.8	5.6	5.8	6.8	8.8	10.9	12.9	A2	A4
-----	-----	-----	-----	-----	-----	------	------	----	----

Hexagon Nuts



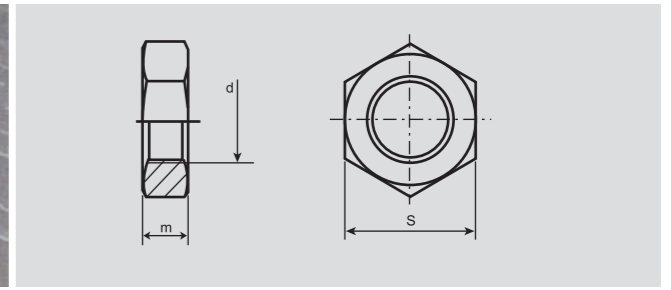
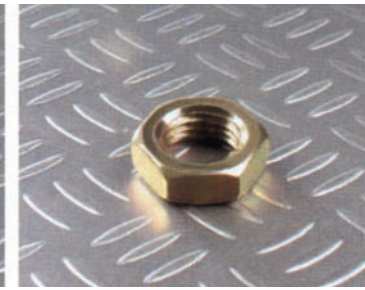
DIN 934
ISO 4032 EN 24032

d	M3	M4	M5	M6	M7	M8	M10	M12	M14	M16	M18	M20	M22	M24	M27	M30	M33
h	0.5	0.7	0.8	1	1	1.25	1.5	1.75	2	2	2.5	2.5	2.5	3	3	3.5	3.5
s	2.4	3.2	4	5	5.5	6.5	8	10	11	13	15	16	18	19	22	24	26
k	5.5	7	8	10	11	13	17/16*	19/18*	22/21*	24	27	30	32/34*	36	41	46	50
	0.384	0.810	1.230	2.500	3.120	5.200	11.60	17.30	25.00	33.30	49.40	64.40	79.00	110.00	165.00	223.00	288.00
d	M36	M39	M42	M45	M48	M52	M56	M60	M64	M68	M72	M76	M80	M90	M100	M110	
h	4	4	4.5	4.5	5	5	5.5	5.5	6	6	6	6	6	6	6	6	
s	29	31	34	36	38	42	45	48	51	54	58	61	64	72	80	88	
k	55	60	65	70	75	80	85	90	95	100	105	110	115	130	145	155	
	393.00	502.00	652.00	800.00	977.00	1220.0	1420.0	1690.0	1980.0	2300.0	2670.0	3040.0	3930.0	4930.0	6820.0	8200.0	

*Sizes as per ISO standard.

5	8	10	A2	A4
---	---	----	----	----

Hexagon Thin Nuts



d	M8	M8x1	M10	M10x1	M10x1.25	M12	M12x1.25	M12x1.5	M14	M14x1.5	M16	M16x1.5
p	1.25	1	1.5	1	1.25	1.75	1.25	1.5	2	1.5	2	1.5
m(nom.)	5	5	6	6	6	7	7	7	8	8	8	8
s(nom.)	13	13	17/16*	17/16*	17/16*	19/18*	19/18*	19/18*	22/21*	22/21*	24	24
	4.000	4.000	8.600	8.600	8.600	12.10	12.10	12.10	18.20	18.20	20.10	20.10

d	M18	M18x1.5	M18x2	M20	M20x1.5	M20x2	M22	M22x1.5	M22x2	M24	M24x1.5	M24x2
p	2.5	1.5	2	2.5	1.5	2	2.5	1.5	2	3	1.5	2
m(nom.)	9	9	9	9	9	9	10	10	10	10	10	10
s(nom.)	27	27	27	30	30	30	32/34*	32/34*	32/34*	36	36	36
	29.60	29.60	29.60	36.30	36.30	36.30	43.80	43.80	43.80	58.00	58.00	58.00

d	M27	M27x1.5	M27x2	M30	M30x1.5	M30x2	M33	M33x1.5	M33x2	M36	M36x1.5	M36x2
p	3	1.5	2	3.5	1.5	2	3.5	1.5	2	4	1.5	2
m(nom.)	12	12	12	12	12	12	14	14	14	14	14	14
s(nom.)	41	41	41	46	46	46	50	50	50	55	55	55
	90.00	90.00	90.00	110.00	110.00	110.00	155.00	155.00	155.00	190.00	190.00	190.00

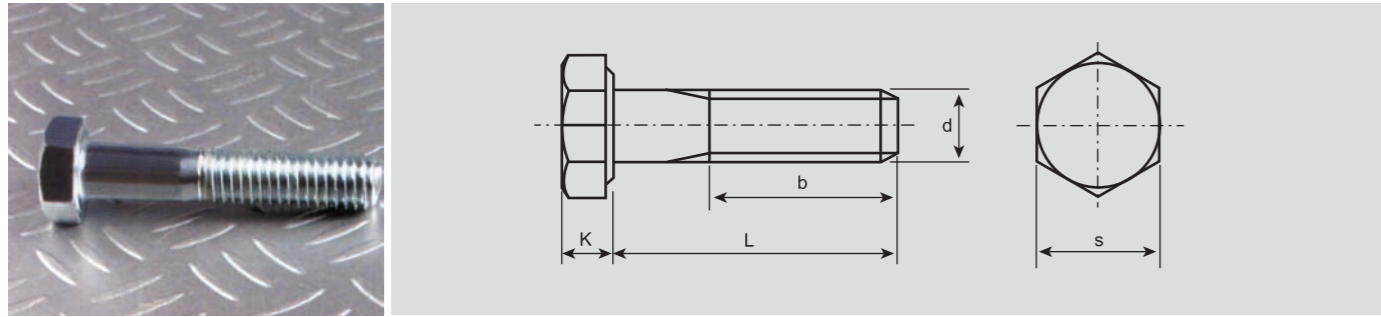
d	M36x3	M39x4	M39x1.5	M39x2	M39x3	M42	M42x1.5	M42x2	M42x3	M45	M45x1.5	M45x2
p	3	4	1.5	2	3	4.5	1.5	2	3	4.5	1.5	2
m(nom.)	14	16	16	16	16	16	16	16	16	18	18	18
s(nom.)	55	60	60	60	60	65	65	65	65	70	70	70
	190.00	260.00	260.00	260.00	260.00	307.00	307.00	307.00	307.00	400.00	400.00	400.00

d	M45x3	M48x5	M48x1.5	M48x2	M48x3	M52x5	M52x1.5	M52x2	M52x3	
p	3	5	1.5	2	3	5	1.5	2	3	
m(nom.)	18	18	18	18	18	20	20	20	20	
s(nom.)	70	75	75	75	75	80	80	80	80	
	400.00	460.00	460.00	460.00	460.00	580.00	580.00	580.00	580.00	

*Sizes as per ISO standard.

5	8	10	A2	A4
---	---	----	----	----

Hexagon Set Screws - Metric Fine Pitch Thread

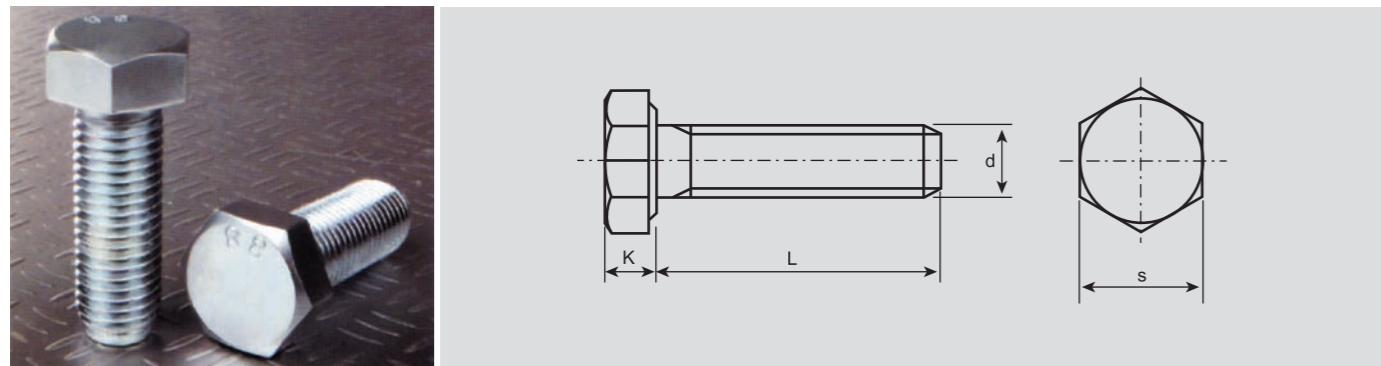


dxp	M8x1	M10x1/M10x1.25	M12x1.25/M12x1.5	M14x1.5	M16x1.5	M18x1.5/M18x2	M20x1.5/M20x2	M22x1.5/M22x2	M24x1.5/M24x2
b ⁽¹⁾	22	26	30	34	38	42	46	50	54
2)	28	32	36	40	44	48	52	56	60
k	5.3	6.4	7.5	8.8	10	11.5	12.5	14	15
s	13	17/16*	19/18*	22/21*	24	27	30	32/34*	36

Length: 40, 45, 50, 55, 60, 65, 70, 75, 80, 85, 90, 95, 100, 110, 120, 130, 140, 150, 160, 170, 180, 190, 200 mm
 b¹: (1) L ≤ 125 mm. (2) 125 mm < L ≤ 200 mm. (3) L > 200 mm
 *Sizes as per ISO standard.

4.6	4.8	5.6	5.8	6.8	8.8	10.9	12.9	A2	A4
-----	-----	-----	-----	-----	-----	------	------	----	----

Hexagon Head Bolts - Metric Fine Pitch Thread

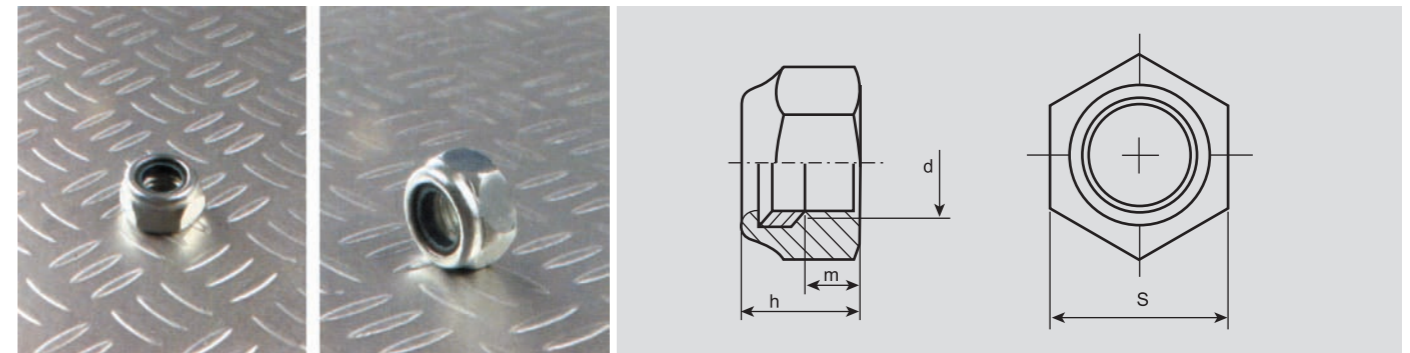


dxp	M8x1	M10x1/M10x1.25	M12x1.25/M12x1.5	M14x1.5	M16x1.5	M18x1.5/M18x2	M20x1.5/M20x2
k	5.3	6.4	7.5	8.8	10	11.5	12.5
s	13	17/16*	19/18*	22/21*	24	27	30

Length: 8, 10, 12, 14, 16, 18, 20, 22, 25, 28, 30, 35, 40, 45, 50, 55, 60, 65, 70, 75, 80, 85, 90, 95, 100, 110, 120, 130, 140, 150, 160, 170, 180, 190, 200 mm
 *Sizes as per ISO standard.

4.6	4.8	5.6	5.8	6.8	8.8	10.9	12.9	A2	A4
-----	-----	-----	-----	-----	-----	------	------	----	----

Hexagon Nuts with Nylon Insert



d	M3	M4	M5	M6	M7	M8	M10	M12	M14	M16	M18	M20	M22
p	0.5	0.7	0.8	1	1	1.25	1.5	1.75	2	2	2.5	2.5	2.5
s	5.5	7	8	10	11	13	17/16*	19/18*	22/21*	24	27	30	32/34*
h	4	5	5	6	7.5	8	10	12	14	16	18.5	20	22

d	M24	M27	M30	M33	M36	M39	M42	M45	M48
p	3	3	3.5	3.5	4	4	4.5	4.5	5
s	36	41	46	50	55	60	65	70	75
h	24	27	30	33	36	39	42	45	48

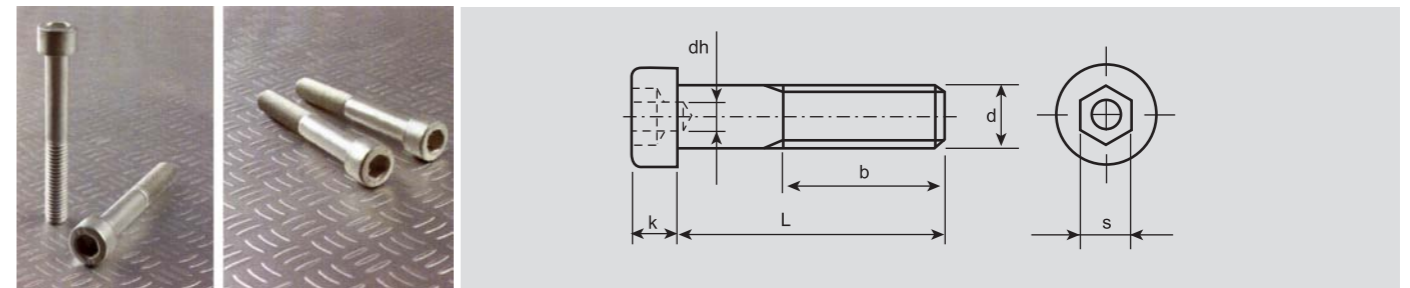
*Sizes as per ISO standard.

5	8	10	A2	A4
---	---	----	----	----

DIN 961
ISO 8676 EN 28676

DIN 6912

Hexagon Socket Head Cap Screws with Centre Hole and Low Head

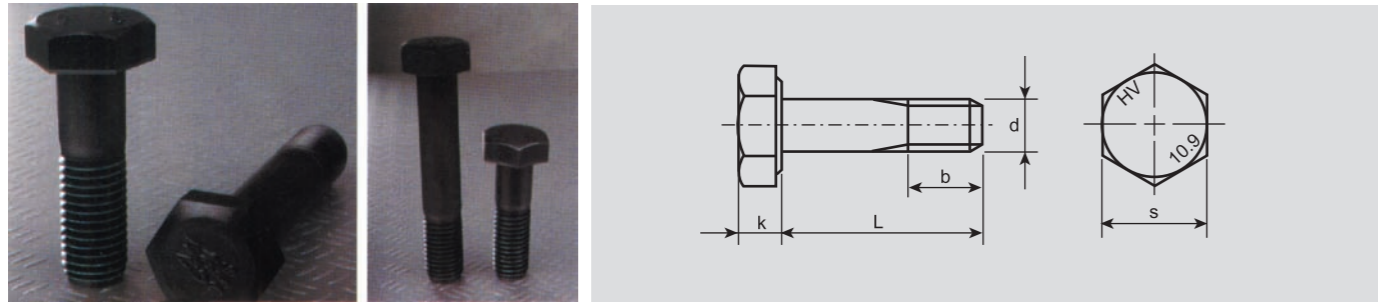


d	M4	M5	M6	M8	M10	M12	M14	M16	M18	M20	M22	M24	M27	M30	M33	M36
P	0.7	0.8	1	1.25	1.5	1.75	2	2	2.5	2.5	2.5	3	3	3.5	3.5	4
b ⁽¹⁾	14	16	18	22	26	30	34	38	42	46	50	54	60	66	72	78
2)	-	-	-	-	32	36	40	44	48	52	56	60	66	72	78	84
dk	7	8.5	10	13	16	18	21	24	27	30	33	36	40	45	50	54
k	2	2.5	3	4	5	6	7	8	8	10	10	12	12	15	16.5	18
k	2.8	3.5	4	5	6.5	7.5	8.5	10	11	12	13	14	16	17.5	19.5	21.5
s	3	4	5	6	8	10	12	14	14	17	17	19	19	22	24	27

Length: 10, 12, 16, 20, 25, 30, 35, 40, 50, 60, 70, 80, 90, 100, 110, 120, 130, 140, 150, 160, 170, 180, 190, 200 mm
 b¹: (1) L ≤ 125 mm. (2) 125 mm < L ≤ 200 mm.

4.6	4.8	5.6	5.8	6.8	8.8	10.9	12.9	A2	A4
-----	-----	-----	-----	-----	-----	------	------	----	----

High Strength Structural Set Screws, Partial Thread (HV)



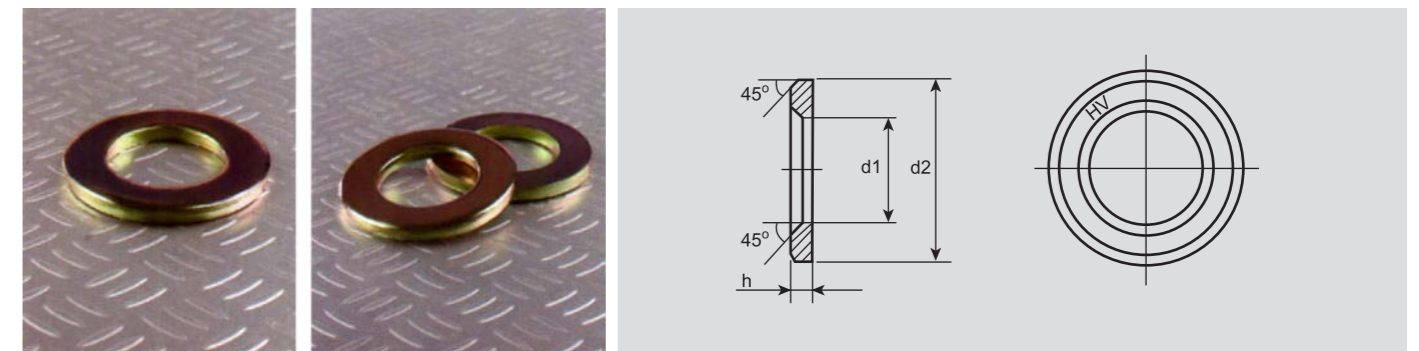
d	M12	M16	M20	M22	M24	M27	M30	M36
p	1.75	2	2.5	2.5	3	3	3.5	4
b 1)	21	26	31	32	34	37	40	48
2)	23	28	33	34	37	39	42	50
k	8	10	13	14	15	17	19	23
s	22	27	32	36	41	46	50	60

Length: 30, 35, 40, 45, 50, 55, 60, 65, 70, 75, 80, 85, 90, 95, 100, 105, 110, 115, 120, 125, 130, 135, 140, 145, 150, 155, 160, 165, 170, 175, 180, 185, 190, 195, 200 mm

1) For sizes above the line 2) For sizes below the line

4.6	4.8	5.6	5.8	6.8	8.8	10.9	12.9	A2	A4
-----	-----	-----	-----	-----	-----	------	------	----	----

High-Strength Structural Washers (HV)



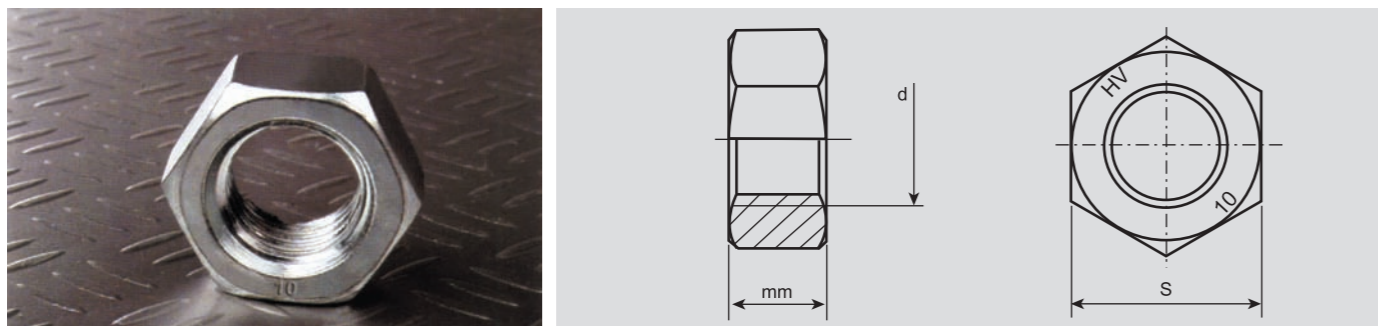
d	M12	M16	M20	M22	M24	M27	M30	M36
d ₁	13	17	21	23	25	28	31	37
d ₂	24	30	37	39	44	50	56	66
h	3	4	4	4	4	5	5	6

7.030	14.60	19.6	24.30	30.60	50.20	63.20	115.00
-------	-------	------	-------	-------	-------	-------	--------

ST/HV100	HV140	FST	C45	A2	A4
----------	-------	-----	-----	----	----

DIN 6915
ISO 7414

High-Strength Structural Hexagonal Nuts



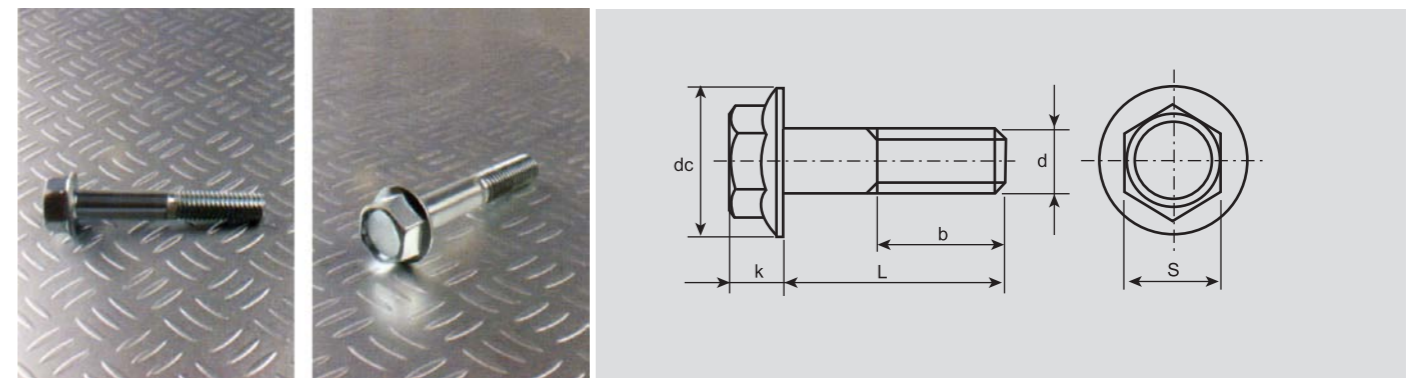
d	M12	M16	M20	M22	M24	M27	M30	M36
p	1.75	2	2.5	2.5	3	3	3.5	4
m	10	13	16	18	20	22	24	29
s	22	27	32	36	41	46	50	60

23.30	48.80	73.90	104.00	155.00	224.00	300.00	515.00
-------	-------	-------	--------	--------	--------	--------	--------

5	8	10	A2	A4
---	---	----	----	----

DIN 6921
ISO 8100

Hexagon Flange Bolts

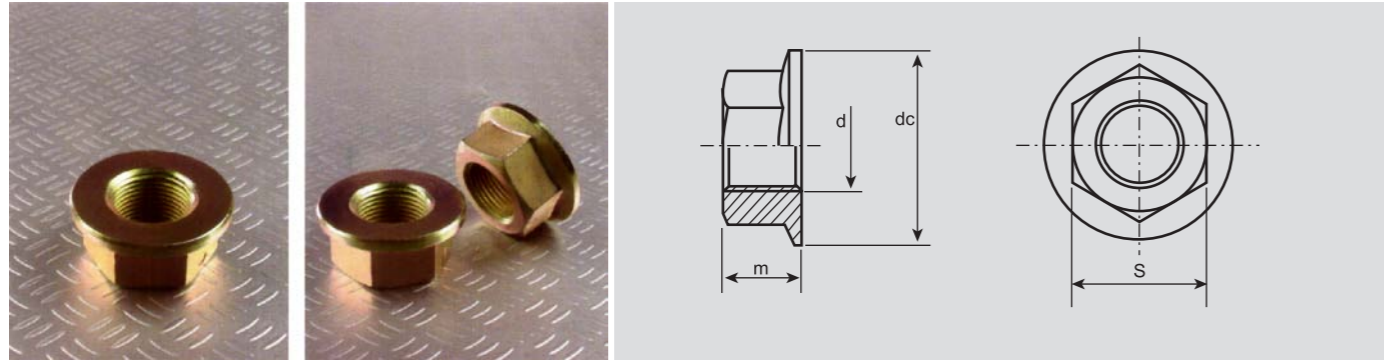


d	M5	M6	M8	M10	M12	M14	M16	M20
p	0.8	1	1.25	1.5	1.75	2	2	2.5
b	16	18	22	26	30	34	38	46
k	5.40	6.6	8.1	9.2	11.5	12.8	14.4	17.1
s	8	10	13	15	16	18	21	27
dc	11.8	14.2	18	22.3	26.6	30.5	35	43

Length: 16, 20, 25, 30, 35, 40, 45, 50, 55, 60, 65, 70, 80, 90, 100, 110, 120, 130, 140, 150, 160, 180, 200mm

4.6	4.8	5.6	5.8	6.8	8.8	10.9	12.9	A2	A4
-----	-----	-----	-----	-----	-----	------	------	----	----

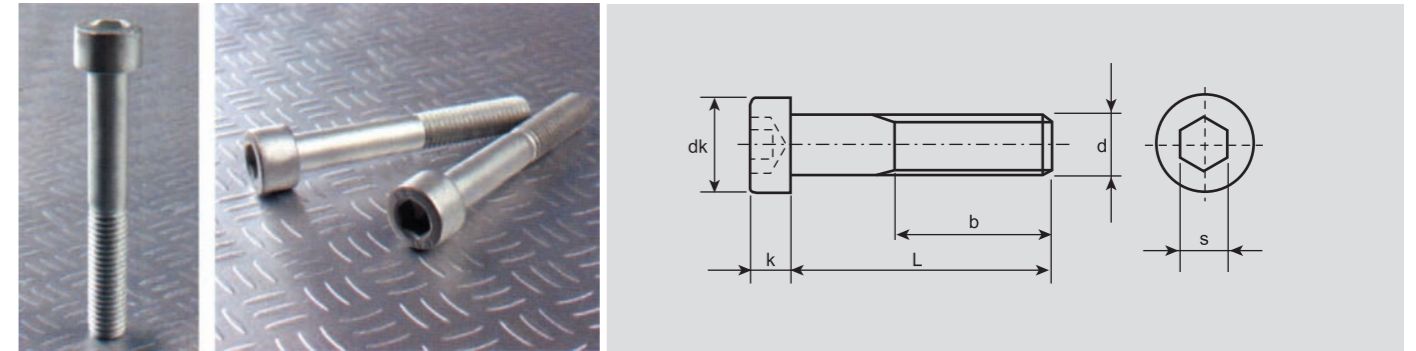
Hexagon Flange Nuts



d	M5	M6	M8	M10	M12	M14	M16	M20
p	0.8	1	1.25	1.5	1.75	2	2	2.5
m	5	6	8	10	12	14	16	20
s	8	10	13	15	18	21	24	30
dc	11.8	14.2	17.9	21.8	26	29.9	34.5	42.8
	1.800	3.450	7.100	12.23	21.40	33.20	45.00	57.00

5	8	10	A2	A4
	●		●	

Hexagon Socket Head Cap Screws with Low Head



d	M3	M4	M5	M6	M8	M10	M12	M14	M16	M18	M20	M22	M24
P	0.5	0.7	0.8	1	1.25	1.5	1.75	2	2	2.5	2.5	2.5	3
b*	12	14	16	18	22	26	30	34	38	42	46	50	54
dk	5.5	7	8.5	10	13	16	18	21	24	27	30	33	36
k	2	2.8	3.5	4	5	6	7	8	9	10	11	12	13
s	2	2.5	3	4	5	7	8	10	12	12	14	14	17

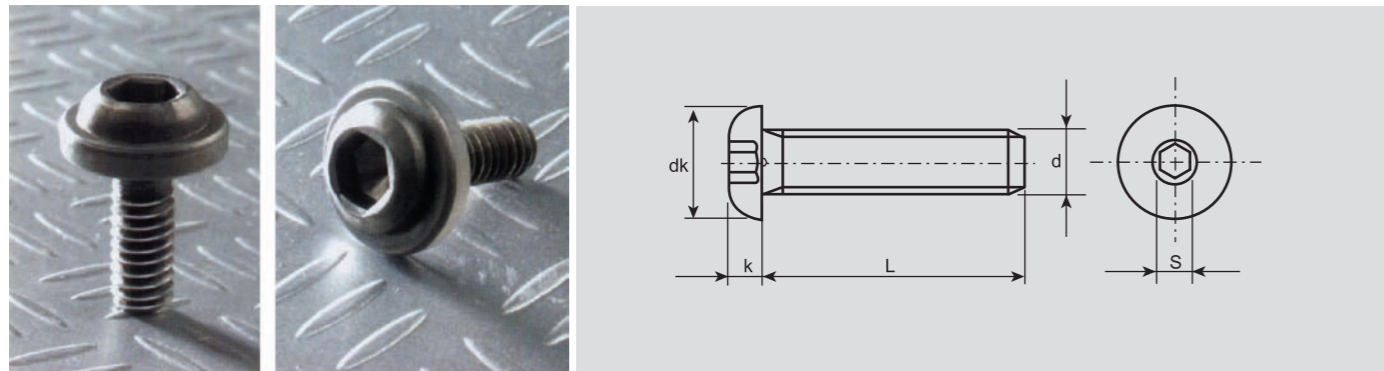
Length: 5, 6, 8, 10, 12, 14, 16, 18, 20, 25, 30, 35, 40, 45, 50, 55, 60, 70, 80, 90, 100 mm

b*: Size b is a guide value, it amounts to the minimum length of the threaded part.
Per diameter (d) are lengths (L) above the dotted line threaded up to the head.

4.6	4.8	5.6	5.8	6.8	8.8	10.9	12.9	A2	A4
					●	●			

DIN 7380
ISO 7380

Hexagon Socket Button Head Screws



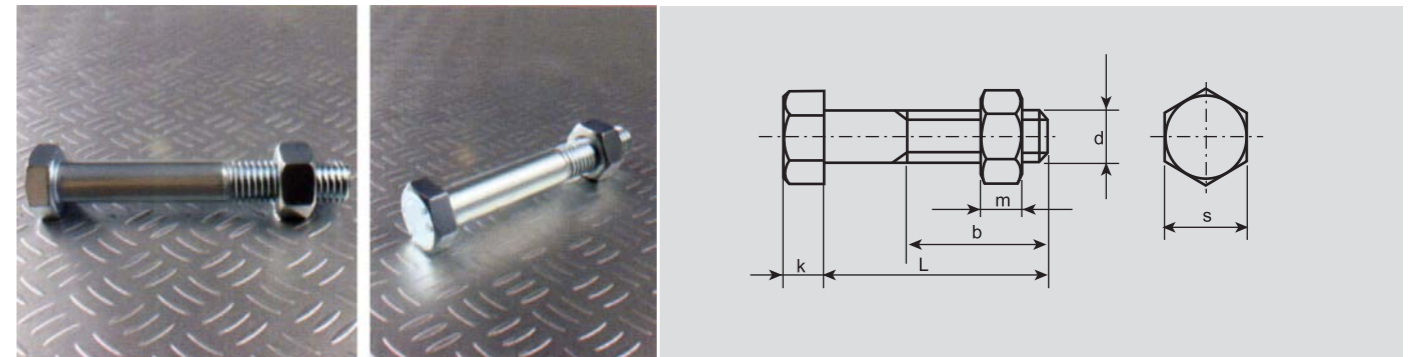
d	M3	M4	M5	M6	M8	M10	M12	M16
P	0.5	0.7	0.8	1	1.25	1.5	1.75	2
dk(max)	5.7	7.6	9.5	10.5	14	17.5	21	28
k(max)	1.65	2.2	2.75	3.3	4.4	5.5	6.6	8.8
s	2	2.5	3	4	5	6	8	10

Length: 6, 8, 10, 12, 16, 20, 25, 30, 35, 40, 45, 50, 55, 60, 70, 80, 90, 100, 110, 120mm

4.6	4.8	5.6	5.8	6.8	8.8	10.9	12.9	A2	A4
						●		●	

DIN 7990

Hexagon Set Screws, Assembled with Hexagon Nut

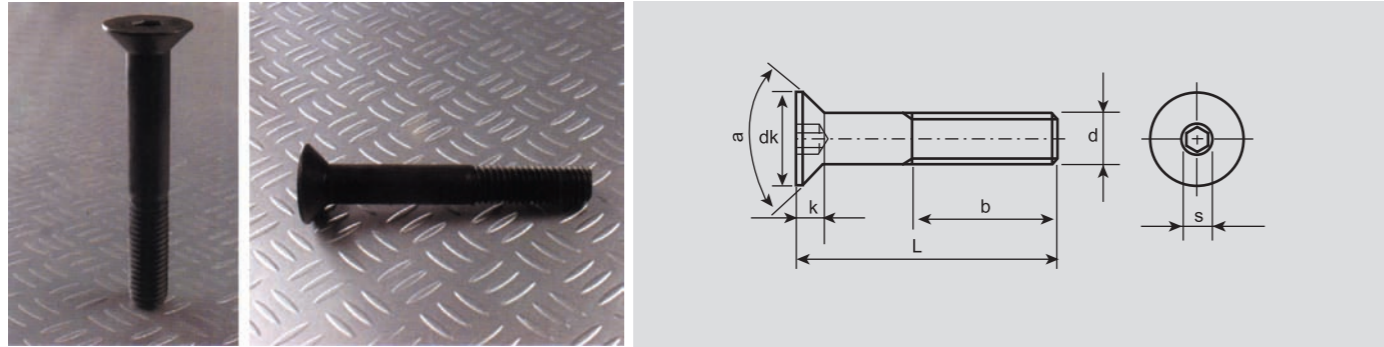


d	M12	M16	M20	M22	M24	M27	M30
p	1.75	2	2.5	2.5	3	3	3.5
b	19.5	23	26	58	29.5	32.5	35
k	8	10	13	14	15	17	19
m	10	13	16	18	19	22	24
s	19	24	30	32	36	41	46

Length: 30, 35, 40, 45, 50, 55, 60, 65, 70, 75, 80, 85, 90, 95, 100, 105, 110, 115, 120, 125, 130, 135, 140, 145, 150, 155, 160, 165, 170, 175, 180, 185, 190, 195, 200 mm

4.6	4.8	5.6	5.8	6.8	8.8	10.9	12.9	A2	A4
●		●			●				

Hexagon Socket Countersunk Head Screws



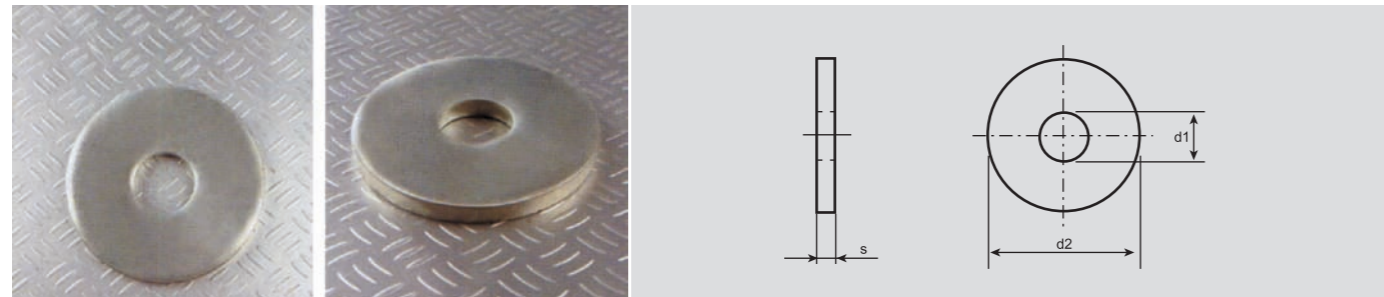
d	M3	M4	M5	M6	M8	M10	M12	M16	M20
P	0.5	0.7	0.8	1	1.25	1.5	1.75	2	2.5
b*	12	14	16	18	22	26	30	38	46
dk	6	8	10	12	16	20	24	30	36
k(max)	1.7	2.3	2.8	3.3	4.4	5.5	6.5	7.5	8.5
a	90°	90°	90°	90°	90°	90°	90°	90°	90°
s	2	2.5	3	4	5	6	8	10	12

Length: 8, 10, 12, 16, 20, 25, 30, 35, 40, 50, 60, 70, 80, 90, 100 mm

b*: Size b is a guide value, it amounts to the minimum length of the threaded part. Per diameter (d) are lengths (L) above the dotted line threaded up to the head.

4.6	4.8	5.6	5.8	6.8	8.8	10.9	12.9	A2	A4
-----	-----	-----	-----	-----	-----	------	------	----	----

Plain Washers d2 ≈ 3 x d1



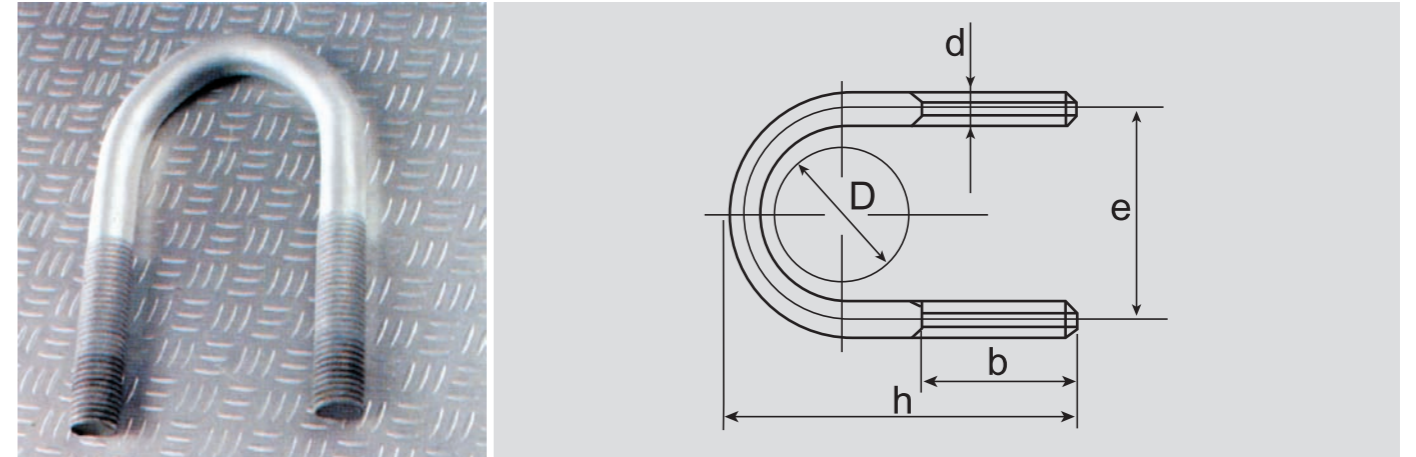
d nom	M3	M4	M5	M6	M7	M8	M10	M12	M14	M16	M18	M20	M24
d1(min)	3.2	4.3	5.3	6.4	7.4	8.4	10.5	13	15	17	20	22	26
d2(min)	9	12	15	18	22	24	30	37	44	50	56	60	72
s	0.8	1	1.2	1.6	2	2	2.5	3	3	3	4	4	5

0.349	0.744	1.460	2.790	5.290	6.230	12.20	22.20	31.60	40.90	67.40	76.80	139.00
-------	-------	-------	-------	-------	-------	-------	-------	-------	-------	-------	-------	--------

ST/HV100	HV140	FST	C45	A2	A4
----------	-------	-----	-----	----	----

**DIN 9021
ISO 7093**

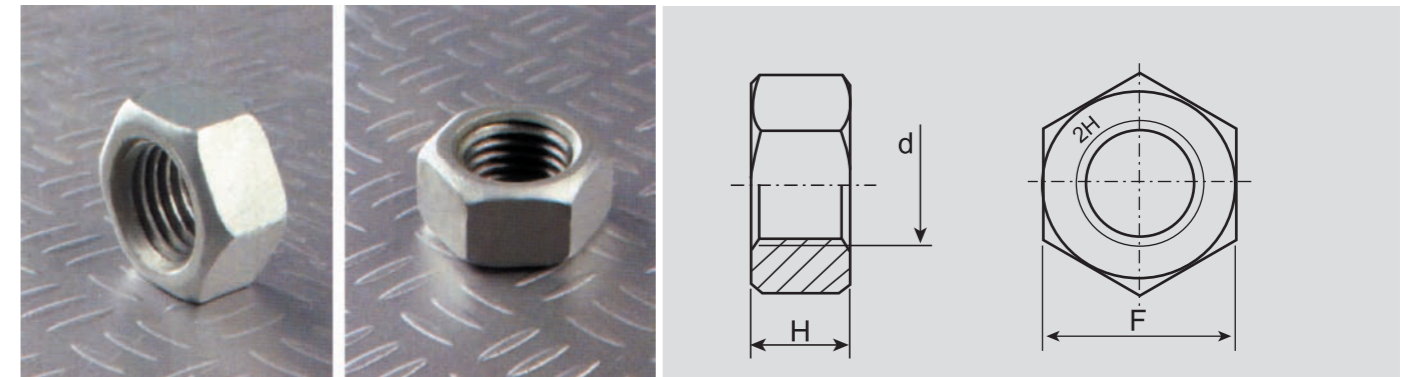
U-Bolts



WIDE RANGE OF DIAMETERS, LENGTHS AND THREADS AVAILABLE

4.6	4.8	5.6	5.8	6.8	8.8	10.9	12.9	A2	A4
-----	-----	-----	-----	-----	-----	------	------	----	----

Hex Nuts ASTM A194 Grade 2H



d(inch)	1/2	5/8	3/4	7/8	1	1 ¹ / ₈	1 ¹ / ₄	1 ³ / ₈	1 ¹ / ₂	1 ⁵ / ₈	1 ³ / ₄	1 ⁷ / ₈	2"
Threads/inch	13	11	10	9	8	8	8	8	8	8	8	8	8
H	12.3	15.5	18.65	21.85	25	28.2	30.95	34.15	37.3	40.5	43.65	46.85	50
F(inch)	7/8	1 ¹ / ₁₆	1 ¹ / ₄	1 ⁷ / ₁₆	1 ⁵ / ₈	1 ¹³ / ₁₆	2"	2 ³ / ₁₆	2 ³ / ₈	2 ⁹ / ₁₆	2 ³ / ₄	2 ¹⁵ / ₁₆	3 ¹ / ₈
(mm)	22.2	27	31.75	36.5	41.3	46	50.8	55.6	60.3	65.1	69.85	74.6	79.4

31.00	52.00	82.00	127.00	196.00	275.00	378.00	503.00	630.00	800.00	1,020.0	1,350.0	1,410.0
-------	-------	-------	--------	--------	--------	--------	--------	--------	--------	---------	---------	---------

2H	4	7	8	8M	8T
----	---	---	---	----	----

Cold Forming

M6	x L 150mm
M8	x L 150mm
M10	x L 200mm
M12	x L 200mm
M14	x L 200mm
M16	x L 250mm
M18	x L 250mm
M20	x L 250mm
M24	x L 250mm

Hot Forming

M22 to M120

**Turned Parts
(CNC Machinery)**

Various specifications
and sizes available, please enquire

ISO 9001-2000 DAS, United Kindom

Standards

ASME B18.2.1 1996	SQUARE HEAD BOLTS C6
ASME B18.2.1 1996	HEX HEAD BOLTS C8
ASME B18.2.1 1996	HEAVY HEX HEAD BOLTS C10
ASME B18.2.1 1996	HEX HEAD CAP SCREWS C12
ASME B18.2.1 1996	HEAVY HEX HEAD SCREWS C18
IFI-149-2000	LARGE SIZE HEAVY HEX HEAD SCREWS C23
ASME B18.2.1 1996	SQUARE/HEX HEAD LAG SCREWS C24
IFI-111-2002	HEX FLANGE SCREWS C30
ASME B18.5 1990	CARRIAGE BOLTS
IFI-136 2002	DOUBLE END STUDS
ASTM A574	ALLOY STEEL SOCKET HEAD CAP SCREWS G48
ASTM F835	ALLOY STEEL SOCKET BUTTON AND FLAT COUNTERSUNK HEAD CAP SCREWS G56
ASMT A325	HEAVY HEX HEAD STRUCTURAL BOLTS
ASMT A325M	HEAVY HEX HEAD STRUCTURAL BOLTS
ASTM F436	HARDENED STEEL WASHERS
ASTM A307	HEX HEAD BOLTS
ASME/ANSI B18.2.2	SQUARE NUTS/NEX NUTS
ASTM A536DH	HEAVY HEX NUT
IFI-145	FLANGE NUT D23
ASME B18.22.1	FLAT WASHERS L-1
ASME B18.21.1	LOCK SPRING WASHERS L-7
ASME B18.8.1	CLEVIS PINS/COTTER PIN L-31

Diameter x Lengths

1/4	x L=3/8~6
5/16	x L=3/8~7-1/2
3/8	x L=3/8~8
7/16	x L=5/8~8
1/2	x L=5/8~10
9/16	x L=3/4~10
5/8	x L=3/4~16
11/16	x L=1~16
3/4	x L=7/8~20
7/8	x L=7/8~20
1	x L=1~24
1-1/8	x L=1-1/4~24
1-1/4	x L=1-1/4~24
1-3/8	x L=1-1/2~24
1-1/2	x L=1-1/2~24
1-3/4	x L=1-3/4~24
2	x L=2-1/4~24



We specialized in producing screws such as self drilling screws, self tapping screws, chipboard screws, drywall screws, wood screws, concrete screws, Diameter: M2.9 to M6.3 (#4 to 1/4) Drill point: no.1 reduce no.2, no.3, no.4, no.5 spoon point, no.5 drilling capacity be maximum 15mm steel sheet. The high anti-corrosion: the duration of salt mist test can be over 1,000 hours. Various plated finishes are available, such as zinc plated (bright color or yellow color), hot dip galvanizing, and chemical blackening.

■ DRYWALL SCREW

Bugle Head Phillips Coarse Thread



TM-001A

MATERIAL: Carbon Steel(C1018,C1022Hardened)

FINISH: Zinc Plated, Nickle Plated, Black Oxide, Black & Grey Phosphated Ruspert.

3.5x13, 16, 19, 22, 25, 30, 32, 35, 38, 40, 45, 50, 55
3.9x13, 16, 19, 22, 25, 30, 32, 35, 38, 40, 45, 50, 55, 60
4.2x16, 19, 22, 25, 30, 32, 35, 38, 40, 45, 50, 55, 60, 63, 65, 70, 75
4.8x50, 55, 60, 63, 65, 70, 75, 80, 85, 90, 95, 100, 110, 120, 130, 140, 150

#6x1/2", 5/8", 3/4", 7/8", 1", 1-1/4", 1-1/2", 1-5/8", 1-3/4", 2", 2-1/4"
#7x1/2", 5/8", 3/4", 7/8", 1", 1-1/4", 1-1/2", 1-5/8", 1-3/4", 2", 2-1/4", 2-1/2"
#8x5/8", 3/4", 7/8", 1", 1-1/4", 1-1/2", 1-5/8", 1-3/4", 2", 2-1/4", 2-1/2", 2-5/8", 2-3/4", 3"
#10x2", 2-1/4", 2-1/2", 2-5/8", 2-3/4", 3", 3-1/2", 4", 4-1/2", 5", 5-1/2", 6"

■ DRYWALL SCREW

Bugle Head Phillips Twinfast Thread



TM-001B

■ CHIPBOARD SCREW COUNTERSUNK HEAD



TM-002A

Carbon Steel(C1022 Hardened), Stainless Steel.

Zinc Plated, Yellow Zinc Plated, Nickle Plated, Chrome Plated, Brass Plated, Black Phosphated, Ruspert.

SIZE

2.5x10	3.0x12	3.5x13	4.0x16	4.5x20	5.0x20	6.0x20	6.0x110
2.5x12	3.0x13	3.5x16	4.0x20	4.5x25	5.0x25	6.0x25	6.0x120
2.5x13	3.0x16	3.5x20	4.0x25	4.5x30	5.0x30	6.0x30	6.0x130
2.5x16	3.0x18	3.5x25	4.0x30	4.5x35	5.0x35	6.0x35	6.0x140
2.5x18	3.0x20	3.5x30	4.0x35	4.5x40	5.0x40	6.0x40	6.0x150
2.5x20	3.0x25	3.5x35	4.0x40	4.5x45	5.0x45	6.0x45	6.0x160
2.5x25	3.0x30	3.5x40	4.0x45	4.5x50	5.0x50	6.0x50	6.0x180
	3.0x35	3.5x45	4.0x50	4.5x60	5.0x60	6.0x60	6.0x200
	3.0x40	3.5x50	4.0x60	4.5x70	5.0x70	6.0x70	
			4.0x70	4.5x75	5.0x80	6.0x80	
				4.5x80	5.0x90	6.0x90	
					5.0x100	6.0x100	

■ CHIPBOARD SCREW DOUBLE COUNTERSUNK HEAD



TM-002B

CONCRETE SCREW SMALL HEAD TORX RECESS



TM-003A

CONCRETE SCREW FLAT HEAD TORX RECESS



TM-003B

Item NO.	Size (mm)	Drill Dia.	Screw length (mm)	Kgs/ 1,000pcs	Qty./Box
TM-003	7.5x42	ø6	42	8.9	100
	7.5x52	ø6	52	10.9	100
	7.5x62	ø6	62	12.9	100
	7.5x72	ø6	72	14.9	100
	7.5x82	ø6	82	16.9	100
	7.5x92	ø6	92	18.9	100
	7.5x102	ø6	102	20.9	100
	7.5x112	ø6	112	22.9	100
	7.5x122	ø6	122	24.9	100
	7.5x132	ø6	132	26.9	100
	7.5x152	ø6	152	30.9	100
	7.5x182	ø6	182	36.9	100
	7.5x202	ø6	202	40.9	100
7.5x212	ø6	212	42.9	100	

TAPPING SCREW WAFER HEAD PHILLIPS



TM-004

DRILLING SCREW WAFER HEAD PHILLIPS



TM-005

Carbon Steel(C1018,C1022 Hardened),
Stainless Steel.
Zinc Plated, Nickle Plated, Brass Plated, Black
Oxide, Black & Grey Phosphated.

SIZE	SIZE	SIZE	SIZE
#8x1/2"	4.2x13	#8x1-1/4"	4.2x32
#8x5/8"	4.2x16	#8x1-1/2"	4.2x38
#8x3/4"	4.2x19	#8x2"	4.2x50
#8x1"	4.2x25		

DRILLING SCREW FRAME HEAD PHILLIPS

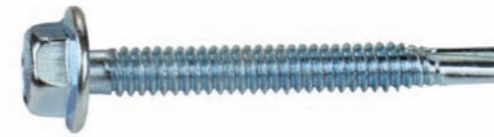


TM-006

Carbon Steel(C1022 Hardened),Stainless Steel.
Zinc Plated, Nickle Plated, Brass Plated, Black Oxide,
Black & Grey Phosphated.

SIZE	SIZE
#6x7/16"	3.5x9.5
#6x9/16"	3.5x11
#7x7/16"	3.9x9.5
#7x9/16"	3.9x11

DIN7504K DRILLING HEX WASHER HEAD



TM-007

DID7504K DRILLING SCREW WITH RUBBER WASHER



TM-009

DRILLING SCREW HEX WASHER HEAD CUT THREADING



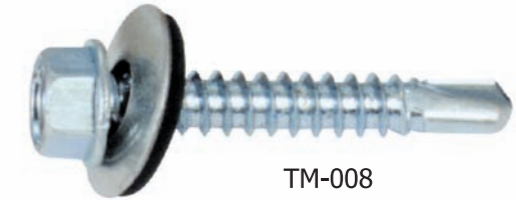
TM-011

DRILLING SCREW HEX WASHER HEAD CUT THREADING



TM-013

DIN 7504K DRILLING SCREW WITH EPDM BOND WASHER



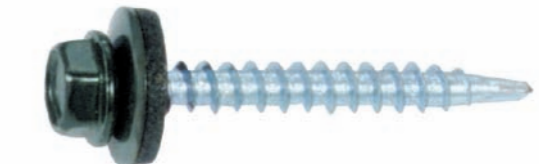
TM-008

DRILLING SCREW HEX FLANGE HEAD WITH RUBBER WASHER



TM-010

DIN7504K DRILLING SCREW,PAINTED



TM-012

DRILLING SCREW PLASTIC HEAD



TM-014

Carbon Steel(C1022 Hardened),Stainless Steel.
Zinc Plated,Nickle Plated,Brass Plated, Black Phosphated, Painted, Hot Galvanized ,Ruspert

SIZE	SIZE	SIZE	SIZE	SIZE	SIZE
#6-20x3/8"	3.5x10	#10-16x3/4"	4.8x19	#14-14x3/4"	6.3x19
#6-20x1/2"	3.5x13	#10-16x1"	4.8x25	#14-14x1"	6.3x25
#6-20x3/4"	3.5x19	#10-16x1-1/4"	4.8x32	#14-14x1-1/4"	6.3x32
#8-18x1/2"	4.2x13	#10-16x1-1/2"	4.8x38	#14-14x1-1/2"	6.3x38
#8-18x5/8"	4.2x16	#10-16x2"	4.8x50	#14-14x2"	6.3x50
#8-18x3/4"	4.2x19	#12-14x3/4"	5.5x19	#14-14x2-1/2"	6.3x63
#8-18x1"	4.2x25	#12-14x1"	5.5x25	#14-14x3"	6.3x75
#8-18x1-1/4"	4.2x32	#12-14x1"-1/4"	5.5x32	#14-14x3"-1/2"	6.3x90
#8-18x1-1/2"	4.2x38	#12-14x1"-1/2"	5.5x38	#14-14x4"	6.3x100
#8-18x2"	4.2x50	#12-14x2"	5.5x50	#14-14x4"-1/2"	6.3x115
#10-16x1/2"	4.8x13	#12-14x2-1/2"	5.5x65	#14-14x4"-3/4"	6.3x120
#10-16x5/8"	4.8x16	#12-14x3"	5.5x75	#14-14x5"	6.3x125
		#12-14x3"-1/2"	5.5x90	#14-14x5"-1/2"	6.3x140
		#12-14x4"	5.5x100	#14-14x6"	6.3x150

DIN571 WOOD SCREW HEX HEAD



TM-015

WOOD SCREW HEX WASHER HEAD



TM-016

DIN97 WOOD SCREW COUNTERSUNK HEAD SLOT



TM-017

DIN7997 WOOD SCREW SOUNTERSUNK HEAD PHILLIPS



TM-018

DIN96 WOOD SCREW ROUND HEAD SLOTS



TM-019

WOOD SCREW FLAT ROUND HEAD



TM-020

Carbon Steel, Stainless Steel, Brass.

Zinc Plated, Yellow, Zinc, Hot Galvanized, Nickle Plated, Brass Plated, Black Phosphated, Ruspert, Plain

SIZE

- M6x20,25,30,40,45,50,55,60,65,70,75,80,85,90,95,100,120,130,140
- M8x20,25,30,40,45,50,55,60,65,70,75,80,85,90,95,100,110,120,130,140,150,160,180,200,220,240,260
- M10x40,45,50,55,60,65,70,75,80,75,90,95,100,110,120,130,140,150,160,170,180,190,200,220,240,260,280,300
- M12x40,45,50,55,60,65,70,75,80,85,90,95,100,110,120,130,140,150,160,170,180,190,200,210,220,240,260,280,300
- M16x60,65,70,75,80,85,90,95,100,110,120,130,140,150,160,170,180,190,200,210,220,240,250,260,270,280,290,300
- M20x65,70,75,80,85,90,95,100,110,120,130,140,150,160,170,180,190,200,210,220,240,250,260,270,280,290,300,310,320,330,340,350,360,370,380,390,400

- 1/4"x3/4", 1", 1-1/4", 1-1/2", 1-3/4", 2", 2-1/4", 2-1/2", 2-3/4", 3", 3-1/2", 4"
- 5/16"x1", 1-1/4", 1-1/2", 1-3/4", 2", 2-1/4", 2-1/2", 2-3/4", 3", 3-1/2", 4", 4-1/2", 5", 5-1/2", 6"
- 3/8"x1-1/4", 1-1/2", 1-3/4", 2", 2-1/4", 2-1/2", 2-3/4", 3", 3-1/2", 4", 4-1/2", 5", 5-1/2", 6", 7", 8"
- 1/2"x1-1/2", 1-3/4", 2", 2-1/4", 2-1/2", 2-3/4", 3", 3-1/2", 4", 4-1/2", 5", 5-1/2", 6", 7", 8", 9", 10", 11", 12"
- 5/8"x2", 2-1/4", 2-1/2", 2-3/4", 3", 3-1/2", 4", 4-1/2", 5", 5-1/2", 6", 7", 8", 9", 10", 11", 12", 13", 14", 15"
- 3/4"x2-1/2", 2-3/4", 3", 3-1/2", 4", 4-1/2", 5", 5-1/2", 6", 7", 8", 9", 10", 11", 12", 13", 14", 15", 16", 17", 18"

NAIL SCREW COUNTERSUNK HEAD PHILLIPS



TM-021A

NAIL SCREW HEX WASHER HEAD



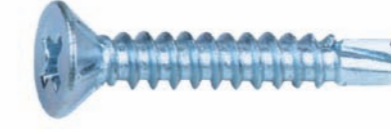
TM-021B

DIN7504N DRILLING SCREW PAN HEAD PHILLIPS



TM-022

DIN7504P DILLING SCREW COUNTERSUNK HEAD PHILLIPS



TM-023

DRYWALL DRILLING SCREW BUGLEHEAD PHILLIPS



TM-024

Carbon Steel(C1022 Hardened), Stainless Steel.
Zinc Plated, Nickle Plated, Brass Plated, Black & Grey Phosphated, Ruspert.

SIZE

#6-20x3/8"	3.5x10	#7-18x3/8"	3.9x10	#8-18x3/8"	4.2x10	#10-16x1/2"
#6-20x1/2"	3.5x13	#7-18x1/2"	3.9x13	#8-18x1/2"	4.2x13	#10-16x5/8"
#6-20x5/8"	3.5x16	#7-18x5/8"	3.9x16	#8-18x5/8"	4.2x16	#10-16x3/4"
#6-20x3/4"	3.5x19	#7-18x3/4"	3.9x19	#8-18x3/4"	4.2x19	#10-16x1"
#6-20x1"	3.5x25	#7-18x1"	3.9x25	#8-18x1"	4.2x25	#10-16x1-1/4"
#6-20x1-1/4"	3.5x32	#7-18x1-1/4"	3.9x32	#8-18x1-1/4"	4.2x32	#10-16x1-1/2"
#6-20x1-1/2"	3.5x38	#7-18x1-1/2"	3.9x38	#8-18x1-1/2"	4.2x38	#10-16x2"
#6-20x1-5/8"	3.5x41	#7-18x1-5/8"	3.9x41	#8-18x1-5/8"	4.2x41	#10-16x2-1/2"
#6-20x2"	3.5x50	#7-18x2"	3.9x50	#8-18x2"	4.2x50	#10-16x3"

DIN7982 TAPPING SCREW COUNTERSUNK HEAD PHILLIPS



TM-025

DIN7981 TAPPING SCREW PAN HEAD PHILLIPS



TM-026

DIN7971 TAPPING SCREW PAN HEAD WITH SLOT



TM-027

TAPPING SCREW PAN HEAD SQUARE



TM-028

TAPPING SCREW FRAME HEAD PHILLIPS



TM-029

TAPPING SCREW HEX WASHER HEAD SLOT



TM-030

Carbon Steel(C1018,C1022 Hardened), Stainless Steel, Brass.

Zinc Plated, Nickle Plated, Brass Plated, Black Oxide, Black & Grey Phosphated, Ruspert.

SIZE

- 2.9x6.5,9.5,11,13,16,19,22,25,30,32
- 3.5x9.5,11,13,16,19,22,25,30,32,35,38
- 3.9x9.5,11,13,16,19,22,25,30,32,35,38,40,45,50
- 4.2x9.5,11,13,16,19,22,25,30,32,35,38,40,45,50,55,60,63,65,70
- 4.8x9.5,11,13,16,19,22,25,30,32,35,38,40,45,50,55,60,63,65,70,75,80,85,90,95,100
- 5.5x16,19,22,25,30,32,35,38,40,45,50,55,60,63,65,70,75,80,85,90,95,100,110,120,125
- 6.3x16,19,22,25,30,32,35,38,40,45,50,55,60,63,65,70,75,80,85,90,95,100,110,120,125,130,135,140,150

- #4x1/4", 3/8", 7/16", 1/2", 5/8", 3/4", 7/8"
- #6x3/8", 7/16", 1/2", 5/8", 3/4", 7/8", 1", 1-1/4", 1-1/2"
- #7x3/8", 7/16", 1/2", 5/8", 3/4", 7/8", 1", 1-1/4", 1-1/2", 1-5/8", 1-3/4", 2"
- #8x3/8", 7/16", 1/2", 5/8", 3/4", 7/8", 1", 1-1/4", 1-1/2", 1-5/8", 1-3/4", 2", 2-1/4", 2-1/2", 2-5/8", 2-3/4"
- #10x3/8", 7/16", 1/2", 5/8", 3/4", 7/8", 1", 1-1/4", 1-1/2", 1-5/8", 1-3/4", 2", 2-1/4", 2-1/2", 2-5/8", 2-3/4", 3", 3-1/2"
- #12x5/8", 3/4", 7/8", 1", 1-1/4", 1-1/2", 1-5/8", 1-3/4", 2", 2-1/4", 2-1/2", 2-5/8", 2-3/4", 3", 3-1/2", 4", 4-1/2", 5"
- #14x5/8", 3/4", 7/8", 1", 1-1/4", 1-1/2", 1-5/8", 1-3/4", 2", 2-1/4", 2-1/2", 2-5/8", 2-3/4", 3", 3-1/2", 4", 4-1/2", 5"

DIN6928 TAPPING SCREW HEX WASHER HEAD



TM-031

TAPPING SCREW HEX WASHER HEAD WITH RUBBER WASHER



TM-032

ANGLE HOOK WOOD SCREW



TM-033

C HOOK WOOD SCREW



TM-034

O HOOK WOOD SCREW



TM-035

CIRCLE CELIING HOOK WOOD SCREW



TM-036

FURNITURE SCREW



TM-037

CARBON STEEL(C1088,C1022 HARDENED).
ZINC PLATED. YELLOW ZINC. NICKLE PLATED.
BRASS PLATED,BLACK PHOSPHATED, PAINTED.

FINE THREAD (PITCH 2.4MM) SIZE (MM)
5.0-2.2X40
5.0X2.2X50
6.3X2.4X40
6.3X2.4X50
6.3X2.4X60
7.0X2.4X40
7.0X2.4X50
7.0X2.4X60
7.0X2.4X70

CHIPBOARD THREAD(PITCH 3.0MM) SIZE (MM)
6.3-3.0x40
6.3-3.0x50
7.0-3.0x40
7.0-3.0x50
7.0-3.0x60
7.0-3.0x70

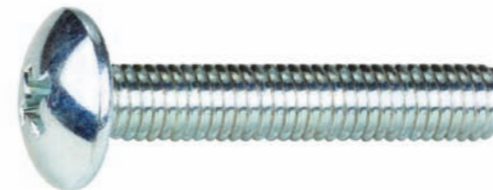
HI-LO THREAD WITH CUT SIZE (MM)
5.0x40
5.0x50
6.3x40
6.3x50
7.0x40
7.0x50
7.0x60
7.0x70

DIN965 MACHINE SCREW COUNTERSUNK HEAD PHILLIPS



TM-038

MACHINE SCREW TRUSS HEAD PHILLIPS



TM-040

DIN963 MACHINE SCREW COUNTERSUNK HEAD SLOT



TM-042

MACHINE SCREW PAN HEAD PHILLIPS&SLOT



TM-039

MACHINE SCREW WAFER HEAD PHILLIPS&SLOT



TM-041

DIN7985 MACHINE SCREW PAN HEAD PHILLIPS



TM-043

Carbon Steel, Stainless Steel, Brass.
Zinc Plated, Yellow Zinc, Nickle Plated, Brass Plated, Black Oxide, Black & Grey Phosphated, Ruspert.

SIZE(DIN)

M2.5x4,5,6,8,10,12,14,15,16
M3x4,5,6,8,10,12,14,15,16,18,20,22,25,28,30
M3.5x5,6,8,10,12,14,15,16,18,20,22,25,28,30,32,35,40
M4x5,6,8,10,12,14,15,16,18,20,22,25,28,30,32,35,40,45,50,55,60
M5x8,10,12,14,15,16,18,20,22,25,28,30,32,35,40,45,50,55,60,65,70,75,80,85,90,95,100
M6x10,12,14,15,16,18,20,22,25,28,30,32,35,40,45,50,55,60,65,70,75,80,85,90,95,100,105,110,115,120,125,130,135,140,150
M8x16,18,20,22,25,28,30,32,35,40,45,50,55,60,65,70,75,80,85,90,95,100,105,110,115,120,125,130,135,140,150,160,170,180,190,200

SIZE(UNC,BSW)

#6-32x1/4",3/8",7/16",1/2",5/8",3/4",7/8",1",1-1/4",1-1/2",1-5/8",1-3/4",1-7/8",2"
#8-32x3/8",7/16",1/2",5/8",3/4",7/8",1",1-1/4",1-1/2",1-5/8",1-3/4",2",2-1/4",2-1/2",2-5/8",2-3/4",3",3-1/2",4"
#10-24(32)x3/8",7/16",1/2",5/8",3/4",7/8",1",1-1/4",1-1/2",1-5/8",1-3/4",2",2-1/4",2-1/2",2-5/8",2-3/4",3",3-1/2",4",4-1/2",5",5-1/2",6"
#14-20x5/8",3/4",7/8",1",1-1/4",1-1/2",1-5/8",1-3/4",2",2-1/4",2-1/2",2-5/8",2-3/4",3",3-1/2",4",4-1/2",5",5-1/2",6"
#5/16-18x5/8",3/4",7/8",1",1-1/4",1-1/2",1-5/8",1-3/4",2",2-1/4",2-1/2",2-5/8",2-3/4",3",3-1/2",4",4-1/2",5",5-1/2",6",6-1/2",7",7-1/2",8"

DIN85 MACHINE SCREW PAN HEAD SLOT



TM-044

DIN964 MACHINE SCREW OVAL HEAD SLOT



TM-045

MACHINE SCREW COUNTERSUNK HEAD TORX



TM-046

DIN84 MACHINE SCREW CHEESE HEAD SLOT



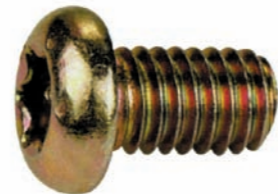
TM-047

MACHINE SCREW CHEESE HEAD PHILLIPS & SLOT



TM-048

MACHINE SCREW PAN HEAD TORX



TM-049

Carbon Steel, Stainless Steel, Brass.
Zinc Plated, Yellow Zinc, Nickel Plated, Brass Plated, Black Oxide, Black & Grey Phosphated, Ruspert, Plain.

SIZE(DIN)

M2.5x4,5,6,8,10,12,14,15,16
M3x4,5,6,8,10,12,14,15,16,18,20,22,25,28,30
M3.5x5,6,8,10,12,14,15,16,18,20,22,25,28,30,32,35,40
M4x5,6,8,10,12,14,15,16,18,20,22,25,28,30,32,35,40,45,50,55,60
M5x8,10,12,14,15,16,18,20,22,25,28,30,32,35,40,45,50,55,60,65,70,75,80,85,90,95,100
M6x10,12,14,15,16,18,20,22,25,28,30,32,35,40,45,50,55,60,65,70,75,80,85,90,95,100,105,110,115,120,125,130,135,140,150
M8x16,18,20,22,25,28,30,32,35,40,45,50,55,60,65,70,75,80,85,90,95,100,105,110,115,120,125,130,135,140,150,160,170,180,190,200

SIZE(UNC,BSW)

#6-32x1/4",3/8",7/16",1/2",5/8",3/4",7/8",1",1-1/4",1-1/2",1-5/8",1-3/4",1-7/8",2"
#8-32x3/8",7/16",1/2",5/8",3/4",7/8",1",1-1/4",1-1/2",1-5/8",1-3/4",2",2-1/4",2-1/2",2-5/8",2-3/4",3",3-1/2",4"
#10-24(32)x3/8",7/16",1/2",5/8",3/4",7/8",1",1-1/4",1-1/2",1-5/8",1-3/4",2",2-1/4",2-1/2",2-5/8",2-3/4",3",3-1/2",4",4-1/2",5",5-1/2",6"
#14-20x5/8",3/4",7/8",1",1-1/4",1-1/2",1-5/8",1-3/4",2",2-1/4",2-1/2",2-5/8",2-3/4",3",3-1/2",4",4-1/2",5",5-1/2",6"
#5/16-18x5/8",3/4",7/8",1",1-1/4",1-1/2",1-5/8",1-3/4",2",2-1/4",2-1/2",2-5/8",2-3/4",3",3-1/2",4",4-1/2",5",5-1/2",6",6-1/2",7",7-1/2",8"

COLLATED PLASTIC LINE



TM-050

COLLATED PLASTIC LINE



TM-051

HANGER SCREW



TM-052

HANGER SCREW



TM-053

SQUAR HEAD SCREW



TM-054

NON STANDARD SCREW



TM-055

CONNECTING SCREW



TM-056

CONNECTING SCREW



TM-057



The bolts include hex bolts, carriage bolts, hex socket bolts, flange bolts, square bolts, eye bolts, U-bolts, T-bolts, and more. The ranges of product grades are 4.8, 8.8, 10.9, and 12.9m and Gr 2, Gr 5, Gr8. Materials is available for carbon, stainless steel and aluminum. The diameter is from 2 to 48mm or 1/8 to 2 inches and the length is from 10 to 300mm or 3/8 to 10 inches, The standard is according to DIN, ANSI/ASME, BS, GB, and JIS and non-standard as customer's request. The wide range choice of finish, such as zinc plated(bright color or yellow color), hot dip galvanizing, chemical blackening, dacromet, plain and etc.

HEX BOLTS DIN931



TM-058

DIN933, DIN960, DIN961, HEX HEAD



TM-059

DIN603 CARRIAGE BOLT



TM-060

STANDARD: DIN603 ANSI ISO8677 BS GB
MATERIAL: CARBON STEEL
DIAMETER: 5MM-20MM 1/4"-3/4"
LENGTH: 15MM-300MM 1/2"-12"
THREAD: MM UNC UNF BSW
GRADE: 4.8 5.8 6.8 8.8
FINISH: PLAIN ZINC BLACK NICKEL CHROME H.D.G

DIN6921 FLANGE BOLT



TM-062

System	Size	Grade/material	Finshed	Standard
METRIC SIZE	M6-M64	4.6 4.8 5.6 5.8 6.8 8.8 10.9	SELF COLOUR ZP YZP H.D.G	DIN931 DIN933 DIN960 DIN961 DIN601 DIN558 DIN7990 ISO4014 ISO4015 ISO4016 ISO4017 BS4190 BS3692
		A2-50 A2-70 A4-50 A4-70 BRASS	POLISH	AS111 JIS1180 ASME B18.2.3.1M ASME B18.2.3.2M ASME B18.2.3.3M ASME B18.2.3.5M ASME B18.2.3.6M ASME B18.2.3.7M
INCH SIZE	1/4"-2-1/2"	SAE J429-GRADE 1 SAE J429-GRADE 2 SAE J429-GRADE 5 SAE J429-GRADE 8 ASTM A307-GRADE A ASTM A307-GRADE B ASTM A307-GRADE C ASTM A449-TYPE 1 ASTM A354-GRADE BC ASTM A354-GRADE BD	SELF COLOUR ZP YZP H.D.G	ASME B18.2.1 AS1390
		ASTM F593-304 ASTM F593-316 BRASS	POLISH	

DIN603 CARRIAGE BOLT



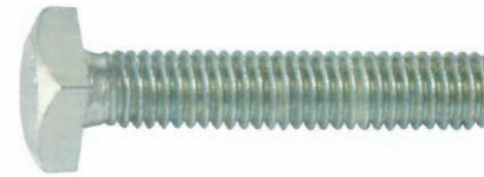
TM-061

DIN912 HEX SOCKET CAP BOLT



TM-063

SQUARE BOLT



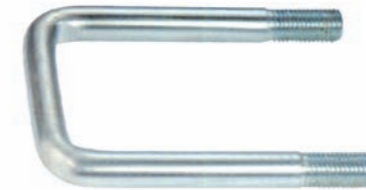
TM-064

U BEND BOLT



TM-066

SQUARE BEND BOLT



TM-068

ROOFING BOLT



TM-070

EYE BOLT



TM-072

SQUARE ROUND HEAD BOLT



TM-065

V BEND BOLT



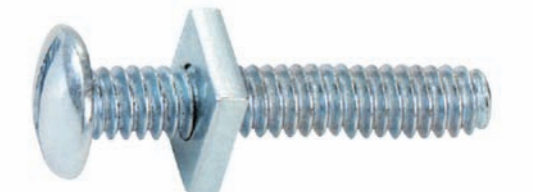
TM-067

RED BOLT



TM-069

ROOFING BOLT WITH SQUARE NUT



TM-071

HOOK BOLT



TM-073

TIE WIRE BOLT



TM-074

TORX ROUND BOLT



TM-075

SPECIAL HEAD BOLT



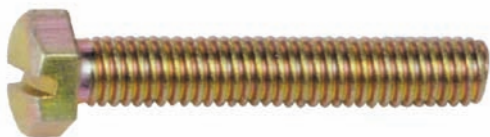
TM-076

SPECIAL HEAD BOLT



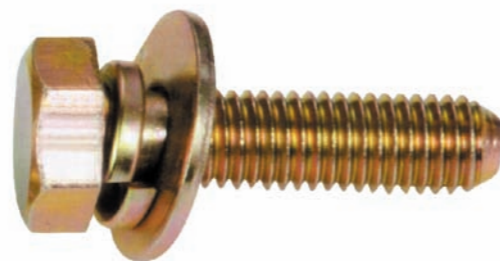
TM-077

SLOT HEX HEAD BOLT



TM-078

ASSEMBLE BOLT



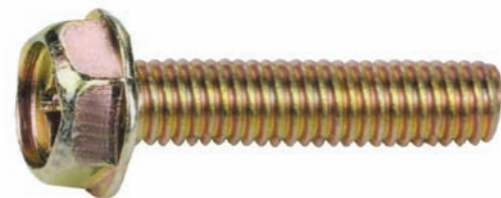
TM-079

SPECIAL HEAD BOLT WITH COARSE THREAD



TM-080

SPECIAL HEAD BOLT WITH FINE THREAD



TM-081



We specialize in Wedge anchor, Sleeve anchor, Drop in anchor, Tie wire anchor, Heavy duty shell anchor, Metal frame anchor, Ceiling Anchor, Zinc alloy drive anchor, Zinc alloy easy drive anchor, Hollow wall anchor. Many kinds of plastic anchor, such as Nylon hammer drive anchor, Fish anchor. The common size includes M6, M8, M10, M12, M14, M16 and M20 or UNC size: 1/4, 3/8, 1/2, 5/8 and 3/4 inches etc.

SLEEVE ANCHOR WITH HEX FLANGE NUT



TM-106A

SLEEVE ANCHOR RING WITH EYE BOLT



TM-106G

SLEEVE ANCHOR WITH HOOK BOLT



TM-106B

SLEEVE ANCHOR RING WITH HEX BOLT



TM-106C

NEW SLEEVE ANCHOR WITH HEX BOLT



TM-106D

SLEEVE ANCHOR WITH HEX BOLT



TM-106E

SLEEVE ANCHOR WITH EYE BOLT



TM-106F

Item NO.	Head Type	Anchor size (mm)	Drill Ø	Max Fixture Thickness (mm)	Pull Out Loading/kgs
TM-106	Flange Nut Type	6.5x18	6.5	3	800
		6.5x36	6.5	8	
		6.5x56	6.5	26	
		6.5x75	6.5	45	1200
		8x40	8	8	
		8x65	8	35	
		8x85	8	55	
		10x40	10	6	1700
		10x50	10	12	
		10x60	10	15	
	10x77	10	27		
	10x97	10	62		
	12x60	12	15	2500	
	12x75	12	27		
	12x99	12	52		
	12x129	12	80		
	16x65	16	20	3700	
	16x111	16	65		
	16x147	16	100		
	20x75	20	25		
20x107	20	57	5100		
20x150	20	101			
1/4x3/8	1/4	1"	1200		
1/4x2-1/4	1/4	1"			
5/16x1-1/2	5/16	1"	1700		
5/16x2-1/2	5/16	1"			
3/8x1-7/8	3/8	1-1/4"	2700		
3/8x3	3/8	1-1/4"			
3/8x4	3/8	1-1/4"			
1/2x2-1/4	1/2	1-1/2"			
1/2x3	1/2	1-1/2"	4300		
1/2x4	1/2	1-1/2"			
1/2x6	1/2	1-1/2"			
5/8x2-1/4	5/8	2"		6100	
5/8x3	5/8	2"			
5/8x4-1/4	5/8	2"			
5/8x5-3/4	5/8	2"			
5/8x6	5/8	2"			
3/4x2-1/2	3/4	2"	7800		
3/4x4-1/4	3/4	2"			
3/4x5-1/2	3/4	2"			
3/4x6-1/4	3/4	2"			
1/4x2-1/4	1/4	1"	1200		
1/4x3	1/4	1"			
1/4x4	1/4	1"			
3/8x2-3/4	3/8	1-3/4"		2700	
3/8x4	3/8	1-3/4"			
3/8x5	3/8	1-3/4"			
3/8x6	3/8	1-3/4"			

WEDGE ANCHOR



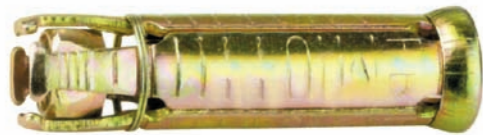
TM-107A

WEDGE ANCHOR



TM-107B

4 PCS HEAVY DUTY SHELL ANCHOR



TM-108

Item NO.	Size (mm)	Drill Dia.	Kgs/1,000pc	Qty./Box
	M6x40	10	12	100
	M8x50	14	23	50
	M10x60	16	37	50
	M12x80	20	72	25
	M16x105	25	133	10
	M20x130	32	251	10
	M24x150	35	385	5

Item NO.	Anchor size (mm)	Max Fixture Thickness (mm)	Pull Out Loading/kgs
TM-107	M6x40	3	850
	M6x55	15	
	M6x70	30	
	M6x95	55	
	M8x50	10	1150
	M8x65	20	
	M8x80	35	
	M8x95	50	
M8x105	60		
M8x120	75		
M8x165	135	1500	
M10x65	15		
M10x80	20		
M10x90	30		
M10x120	60		
M10x130	70		
M12x80	20		2300
M12x100	30		
M12x110	40		
M12x120	50		
M12x150	80	3400	
M16x105	15		
M16x140	40		
M16x180	80		
M16x220	120	5400	
M20x125	15		
M20x160	40		
M20x200	80		
M20x300	180		

Item NO.	Anchor size (mm)	Max Fixture Thickness (mm)	Pull Out Loading/kgs	
TM-107	1/4x1-3/4	3/16"	830	
	1/4x2-1/4	5/8"		
	3/8x2-1/4	1/8"		
	3/8x2-3/4	1/2"	1500	
	3/8x3	3/4"		
	3/8x3-3/4	1-1/2"		
	3/8x5	2-3/4"		
	1/2x2-3/4	1/8"		2800
	1/2x3-3/4	7/8"		
	1/2x4-1/4	1-1/2"		
	1/2x5-1/2	2-1/2"		
	1/2x7	4"		
	5/8x3-1/2	3/16"	3600	
	5/8x4-1/2	1-1/8"		
	5/8x5	1-1/2"		
	5/8x6	2-1/2"		
	3/4x4-1/4	1/2"		5500
	3/4x4-3/4	3/4"		
3/4x5-1/2	1-1/2"			
3/4x7	3"			
3/4x8-1/2	4-1/2"			
3/4x10	6"			

4 PCS HEAVY DUTY SHELL ANCHOR WITH HEX BOLT



TM-109A

4 PCS HEAVY DUTY SHELL ANCHOR WITH HOOK BOLT



TM-109B

4 PCS HEAVY DUTY SHELL ANCHOR WITH EYE BOLT



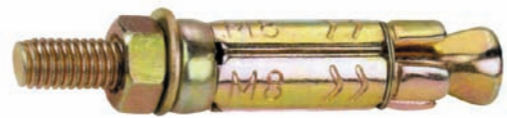
TM-109C

4 PCS HEAVY DUTY SHELL ANCHOR WITH ROD



TM-109D

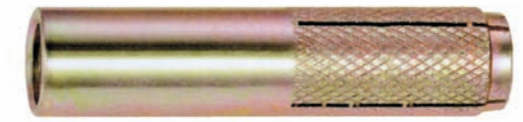
4 PCS HEAVY DUTY SHELL ANCHOR WITH PROJECTION BOLT



TM-109E

Item NO.	Size(mm)	Drill Dia.	Kgs/1,000pc	Qty./Box
TM-109	M6x55	10	24.92	100
	M8x60	14	51.43	50
	M10x75	16	89.37	50
	M12x90	20	159.07	25
	M16x135	25	359.6	10

DROP IN ANCHOR



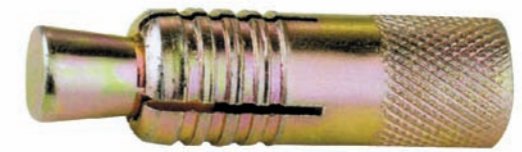
TM-110

Item NO.	Size (mm)	kgs/1,000pcs	Qty.per box/ctn	Pull out loading/kgs
TM-110	M6xΦ8x25(W1/4)	6.3	100/2000	930
	M8xΦ10x30(W5/16)	11.9	100/2000	1320
	M10xΦ12x40(W3/8)	22	50/1000	1900
	M12xΦ16x50(W1/2)	53.5	50/500	2950
	M16xΦ20x65(W5/8)	108	25/200	4800
	M20xΦ25x80(W3/4)	209	25/150	5800
	1/4-20xΦ3/8x1"	10.6	100/2000	980
	3/8-16xΦ1/2x1-9/16"	27.8	50/1000	1900
	1/2-13xΦ5/8x2"	53.2	50/500	2950
	5/8-11xΦ7/8x2-1/2"	146.8	25/200	5200
	3/4-10xΦ1x3x1/8"	247.2	25/150	6800

* M12 also have the dia. Φ15

* Yellow zinc plated, white zinc plated (Cr3 & Cr6) are available

CUT ANCHOR



TM-111

Item NO.	Size (mm)	kgs/1,000pcs	Pull out loading/kgs	Qty.per box/ctn
TM-111	M6xΦ11x25(W1/4)	16.4	980	100/1200
	M8xΦ12x30(W5/16)	24.9	1480	50/1000
	M10xΦ14x40(W3/8)	38.5	2100	25/500
	M12xΦ17.5x52(W1/2)	74.7	3200	15/300
	M16xΦ21.4x63(W5/8)	131.9	4350	15/150
	M20xΦ25.4x83(W3/4)	226.5	5600	10/120
	1/4xΦ11.5x1-5/8"	19.3	1450	100/1200
	3/8xΦ14x2-3/16"	39.1	2500	25/500
	1/2xΦ17.6x2-13/16"	74.9	3400	30/300
	5/8xΦ22x3-1/8"	169.3	4800	20/200
	3/4xΦ25.4x4"	315.2	5800	10/100

3 PCS HEAVY DUTY SHELL ANCHOR WITH HEX BOLT



TM-112A

3 PCS HEAVY DUTY SHELL ANCHOR



TM-112B

3 PCS HEAVY DUTY SHELL ANCHOR WITH ROD



TM-112C

3 PCS HEAVY DUTY SHELL ANCHOR WITH HOOK BOLT



TM-112D

HOLLOW WALL ANCHOR



TM-113A

HOLLOW WALL ANCHOR WITH C-HOOK



TM-113B

NEW SLEEVE ANCHOR WITH O-HOOK



TM-113C

HOLLOW WALL ANCHOR WITH L-HOOK



TM-113D

Item NO.	Size(mm)	Drill Dia.	Kgs/1,000pc	Qty./Box
TM-112	M6x55	10	31.17	100
	M8x60	14	53.03	50
	M10x75	16	89.02	50
	M12x90	20	148.87	25
	M16x135	25	386.8	10

Item NO.	Body Length Size(mm)	Inch Size	Drill Ø	Grip Range (mm)	Screw Length (mm)
TM-113	M4x21	1/8"-XS	8	UP-4	28
	M4x32	1/8"-S	8	3-9	40
	M4x38	1/8"-M	8	8-15	46
	M4x46	1/8"-SL	8	3-20	53
	M4x46	1/8"-L	8	16-21	53
	M4x54	1/8"-ML	8	18-28	59
	M4x59	1/8"-XL	8	34-38	66
	M5x37	3/16"-E	9	6-13	44
	M5x52	3/16"-S	9	3-16	57
	M5x65	3/16"-L	9	14-32	70
	M5x80	3/16"-XL	9	28-45	83
	M6x37	1/4"-E	10	6-13	44
	M6x52	1/4"-S	10	3-16	57
	M6x65	1/4"-L	10	14-32	70
	M6x80	1/4"-XL	10	28-45	83
	M8x37		12	6-13	44
	M8x52		12	3-16	57
	M8x65		12	14-32	70
	M8x80		12	28-45	83

TOGGLE ANCHOR



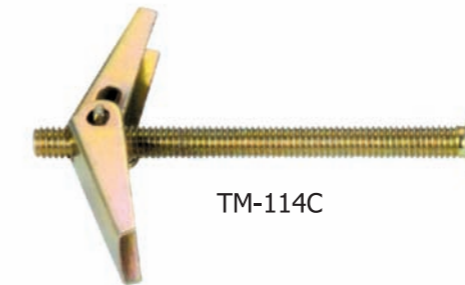
TM-114A

TOGGLE ANCHOR WITH O-HOOK



TM-114B

TOGGLE ANCHOR WITH SCREW



TM-114C

TOGGLE ANCHOR WITH C-HOOK



TM-114D

Item NO.	Description	Size (mm)	Drill Dia.	Qty./Box	Kgs/1,000pcs
TM-114	Body only	M4x48	10mm	100	3.45
		M5x62	10mm	100	4.35
		M6x85	16mm	100	14.25
		M8x125	20mm	50	36.6
	Thread rod	M4x100	10mm	100	6.5
		M5x100	10mm	50	13
		M6x100	16mm	50	13
		M8x110	20mm	25	26
	Open eye hook	M4x100	10mm	100	6.5
		M5x105	10mm	50	13
		M6x115	16mm	50	13
		M8x150	20mm	25	26
Close eye hook	M4x100	10mm	100	6.5	
	M5x105	10mm	50	13	
	M6x115	16mm	50	13	
	M8x150	20mm	25	26	

METAL FRAME ANCHOR



TM-115

Item NO.	Size (mm)	Sleeve Size(mm)	Screw Size	Fixing Length Max(mm)	Kgs/1,000pcs
TM-115	8x72	8x72	M5x88	42	21
	8x92	8x92	M5x108	62	27
	8x112	8x112	M5x128	82	32
	8x132	8x132	M5x148	102	36
	10x50	10x50	M6x68	20	30
	10x70	10x70	M6x88	40	35
	10x90	10x90	M6x108	60	43
	10x110	10x110	M6x128	80	51
	10x130	10x130	M6x148	100	59
	10x150	10x150	M6x168	140	66
	10x180	10x180	M6x198	150	71
10x200	10x200	M6x218	170	79	

HAMMER DRIVE ANCHOR



TM-116

Item NO.	Size (mm)	Max. Fixture Thickness (mm)	Kgs/1,000pcs	Qty. Per box/ctn	Pull Out Load (kgs)
TM-116	3/16x7/8	1/4"	4.6	100/5000	230
	1/4x3/4	3/16"	7.3	100/4000	270
	1/4x1	1/4"	9.0	100/3000	330
	1/4x1-1/4	1/2"	10.5	100/2000	370
	1/4x1-1/2	3/4"	11.8	100/2000	430
	1/4x2	1-1/4"	15.0	100/1500	520
	1/4x2-1/2	1-3/4"	18.0	100/1000	620
	1/4x3	2-1/4"	21.0	100/1000	730
	M5x20	6.3mm	4.6	100/5000	230
	M6x30	12mm	9.8	100/2000	350
	M6x40	22mm	11.3	100/2000	410
	M6x50	32mm	14.5	100/1500	500
M6x65	45mm	17.0	100/1000	600	

HIT ANCHOR



TM-117

Item NO.	Size (mm)	Thread Length(mm)	Drill Dia	Pull Out Load (kgs)
TM-117	M6x45	15	6.4	475
	M6x60	20	6.4	
	M8x50	20	8.5	
	M8x70	25	8.5	705
	M10x50	20	10.5	
	M10x60	25	10.5	
	M10x80	25	10.5	1180
	M10x90	30	10.5	
	M10x100	30	10.5	
	M10x120	30	10.5	1850
	M12x60	20	12.7	
	M12x70	25	12.7	
	M12x90	30	12.7	
	M12x100	40	12.7	
	M12x120	50	12.7	
	M16x100	40	17.0	3300
	M16x120	40	17.0	
	M16x150	50	17.0	
M20x130	50	21.5	4600	
M20x150	50	21.5		
M20x190	50	21.5		

BOLT ANCHOR



TM-118

Item NO.	Size (mm)	Outside Dia(mm)	Sleeve Length(mm)	Drill Dia (mm)	Pull Out Load(kgs)
TM-118	M6(1/4)x50	9.5	30	9.5	890
	M8(5/16)x65	12.0	35	12.0	1390
	M8(5/16)x70	12.0	35	12.0	1390
	M10(3/8)x70	14.0	40	14.5	1600
	M10(3/8)x80	14.0	40	14.5	1600
	M10(3/8)x100	14.0	40	14.5	1600
	M12(1/2)x100	17.2	50	18.0	2540
	M12(1/2)x120	17.2	50	18.0	2540
	M12(1/2)x150	17.2	50	18.0	2540
	M16(5/8)x100	21.6	50	22.0	3300
	M16(5/8)x120	21.6	60	22.0	3300
	M16(5/8)x150	21.6	60	22.0	3300
	M16(5/8)x200	21.6	60	22.0	3300
	M20(3/4)x160	25.4	80	26.0	4950
M20(3/4)x200	25.4	80	26.0	4950	

CHEMICAL ANCHOR



TM-121

Item NO.	Anchor size (mm)	Max Fixture Thickness (mm)	Hole Size	Qty./box
TM-121	M8x110	16	10x80	10
	M8x150	46	10x80	10
	M8x170	60	10x80	10
	M8x250	120	10x80	10
	M10x120	16	12x90	10
	M10x130	22	12x90	10
	M10x150	40	12x90	10
	M10x180	60	12x90	10
	M10x250	110	12x90	10
	M12x130	8	14x110	10
	M12x160	30	14x110	10
	M12x190	60	14x110	10
	M12x220	80	14x110	10
	M16x120	38	18x125	10
	M16x220	80	18x125	10
	M20x260	70	25x170	6
	M24x300	65	28x210	6
	M30x380	70	35x280	6

- * Yellow zinc plated, white zinc plated (Cr3 & Cr6), hot dipper galvanized or mechanical galvanized are available
- * Carbon steel & stainless steel (A2 OR A4) are available.
- * The thread/size also could be in BSW & UNC
- * One piece tool per box

EXPRESS NAIL ANCHOR



TM-123

Item NO.	Anchor Size	Drill Ø	Min.Drill Depth(mm)	Qty./box (pcs)	Kgs/1,000 pcs
TM-123	5x30	5	20	300	2.1
	5x50	5	20	300	3.6
	6x30	6	25	300	2.5
	6x40	6	30	300	3.3
	6x50	6	30	200	4.1
	6x60	6	30	200	4.9
	6x80	6	30	200	6.5
	8x70	8	40	100	10.3
	8x90	8	40	100	13.2
	8x110	8	40	100	16
	8x130	8	40	50	18.9
8x150	8	40	50	21.8	
8x180	8	40	50	25.4	

* Yellow zinc plated, white zinc plated (Cr3 & Cr6), hot dipped

TIE WIRE ANCHOR



TM-119

Item NO.	Anchor size	Max Fixture Thickness(mm)	Hole size	Qty.Per box
TM-119	M6x50	35	6	100
	M6x60	35	6	100
	M6x120	35	6	100
	1/4x2-1/32	35	1/4"	100
	1/4x2-1/8	35	1/4"	100
	1/4x2-1/4	35	1/4"	100

CEILING ANCHOR



TM-120

Item NO.	Size	Head Dia. (mm)	Drill (mm)	Load (kgs)
TM-120	6x35	14.8	6.0	390
	6x65	14.8	6.0	390

SAW ANCHOR



TM-122

Item NO.	Anchor size	Qty.Per box	Kgs/1,000 pcs
TM-122	5X30	200	1.2
	6X32	200	2.4
	8X38	100	6
	8X60	100	9.2
	10X60	100	12.4

* Yellow zinc plated, white zinc plated (Cr3 & Cr6)

FLAT HEAD SPLIT DRIVE ANCHOR



TM-124A

ROUND HEAD SPLIT DRIVE ANCHOR



TM-124B

Item NO.	Anchor Size (imperial)	Drill Dia.	Max Fixture Thickness	Qty.Per box
TM-124	3/16x1"	3/16"	1/8"	100
	3/16x1-1/2"	3/16"	1/2"	100
	3/16x2"	3/16"	1"	100
	3/16x2-1/2"	3/16"	1-1/2"	100
	1/4x1-1/2"	1/4"	1/2"	100
	1/4x2"	1/4"	1"	100
	1/4x2-1/2"	1/4"	1-1/2"	100
	1/4x3"	1/4"	2"	100
	1/4x3-1/2"	1/4"	2-1/2"	100
	1/4x4"	1/4"	3"	100

ZINC ALLOY SPEED ANCHOR



TM-125A

ZINC ALLOY SPEED ANCHOR WITH SCREW



TM-125B

NYLON SPEED ANCHOR WITH SCREW



TM-125C

Item NO.	Anchor size(mm)	Length (mm)	Screw size	Qty.box (pcs)	Kgs/1,000 pcs
TM-125	14x23	23	4.0-5.0	100	1.15
	13x41	41	4.0-5.0	100	1.2
	13x40	40	4.0-5.0	100	1.2
	13x38	38	4.0-5.0	100	0.95
	15x27	27	4.0-5.0	100	1.2

NYLON PLUG ANCHOR



TM-126A

NYLON PLUG ANCHOR



TM-126B

Item NO.	Diameter & Length	House With Screw Sizes	Hole Size	Pkg Quantity
TM-126	3/16x3/4"	#4,#6,#8	3/16"	1000
	3/16x7/8"	#6,#8,#10	3/16"	1000
	3/16x1"	#6,#8,#10	3/16"	1000
	1/4x1"	#10,#12	1/4"	1000
	1/4x1-1/4"	#10,#12	1/4"	1000
	5/16x1-3/8"	#14,#16	5/16"	500
	5/16x1-1/2"	#14,#16	5/16"	500

NYLON FISH ANCHOR WITH ONE WING



TM-127A

NYLON FISH ANCHOR WITH DOUBLE WINGS



TM-127B

Item NO.	Anchor size	Screw size	Drill Ø	Qty.box (pcs)	Kgs/1,000 pcs
TM-127	4x20	2.0-3	4	1500	0.32
	5x25	2.5-4	5	1000	0.51
	6x30	3.5-5	6	600	.63
	7x35	4.0-5.5	7	400	0.79
	8x40	4.5-6	8	250	1.35
	10x50	6.0-8	10	150	2.30
	12x60	8.0-10	12	100	5.80
	14x75	10-12	14	75	6.80
	16x80	12-14	16	50	9.90
	5x25	2.5-4	5	1000	0.35
	6x30	3.5-5	6	600	0.63
	7x30	4.1-5	7	400	0.90
	8x40	4.5-6	8	250	1.35
	10x50	6.1-8	10	150	2.30
12x60	8.0-10	12	100	5.80	
14x80	12-14	14	75	6.80	

PLASTIC TOGGLE ANCHOR



TM-128

Item NO.	Anchor Size	Length (mm)	Drill	Qty./box (pcs)
TM-128	3-6mm	1.5	8	100
	9-13mm	5	8	100
	13-16mm	9	8	100
	16-19mm	12.5	8	100
	26-28mm	20.5	8	100
	32mm	12	10	100
	38mm	19	10	100
	50mm	28	10	100

NYLON HAMMER ANCHOR WITH NAIL SCREW



TM-129

Item NO.	Anchor size	Screw size	Drill Ø	Qty.box (pcs)	Kgs/1,000 pcs
TM-129	5x30	3.5x33	5	100	2.1
	5x35	3.5x38	5	100	2.5
	5x40	3.5x43	5	100	2.9
	5x50	3.5x53	5	100	3.6
	6x35	4.0x38	6	100	3.2
	6x40	4.0x43	6	100	3.6
	6x50	4.0x53	6	100	4.4
	6x60	4.0x63	6	100	5.1
	6x70	4.0x73	6	100	6.0
	6x80	4.0x83	6	100	6.9
	8x60	5.0x63	8	50	8.2
	8x80	5.0x83	8	50	12.0
	8x100	5.0x103	8	50	13.4
	8x120	5.0x123	8	50	16.5
	8x135	5.0x138	8	50	18.1

NYLON SLIGHT SLEEVE ANCHOR WITH HOOK SCREW



TM-131A

NYLON SLIGHT SLEEVE ANCHOR WITH SCREW



TM-131B

DOUBLE EXPANSION ANCHOR



TM-132

HEX KEY



TM-156

NYLON FIXING ANCHOR



TM-130

Item NO.	Anchor size	Screw size	Drill Ø	Qty.box (pcs)	Kgs/1,000
TM-130	8x60	5x63	8	100	9.8
	8x80	5x83	8	100	12.0
	8x100	5x103	8	100	15.6
	8x120	5x123	8	100	18.2
	8x140	5x143	8	100	22.4
	10x80	7x83	10	50	20.3
	10x100	7x103	10	50	24.2
	10x120	7x118	10	50	28.7
	10x140	7x138	10	50	34.0
	10x160	7x163	10	50	38.0

NYLON SLIGHT SLEEVE ANCHOR WITH SCREW



TM-131C

Item NO.	Description	Anchor size	Length (mm)	Drill Ø	Qty.box (pcs)
TM-131	Pan Head Screw	9x40 M4	40	9	100
	Open Eye Hook	12x45 M5	45	12	100
	Close Eye Hook	9x40 M4	40	9	100
		12x45 M5	45	12	50
	Short L-hook	9x40 M4	40	9	100
		12x45 M5	45	12	100
	Medium L-hook	9x40 M4	40	9	100
		12x45 M5	45	12	100
	Long L-hook	9x40 M4	40	9	100
		12x45 M5	45	12	100
	Thread Rod	9x40 M4	40	9	100
	12x45 M5	45	12	50	

LEAD SCREW ANCHOR



TM-133

DIN741 WIRE ROPE CLIP



TM-158



We specialized in producing several of nails such as concrete nails, common nails, roofing nails, floor nails, boat nails, ect. Diameter: BWG7 to BWG13, Length: 1 to 4 inches. Materials is available for carbon, stainless steel and aluminum. Various plated finishes are available, such as zinc plated (bright color or yellow color), hot dip galvanizing, and chemical blackening.

CONCRETE NAIL



TM-146
7BWG4"-12BWG 1-1/2"

COMMON NAIL



TM-148
16-150MM 5/8"-6"

ROOFING NAIL



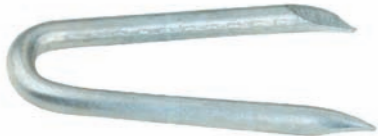
TM-150
9BWG 1-1/2"-13BWG 1-3/4"

SQUARE BOAT NAIL



TM-152
38-75MM 1-1/2"-3"

U-NAIL



TM-157

BLIND RIVET



TM-159B

CONCRETE NAIL



TM-147
7BWG4"-12BWG 1-1/2"

GALVANIZED COMMON NAIL



TM-149
16-150MM 5/8"-6"

ROOFING NAIL



TM-151
9BWG 1-1/2"-13BWG 1-3/4"

FLOOR NAIL



TM-153
38-75MM 1-1/2"-3"

BLIND RIVET



TM-159A

BLIND RIVET



TM-159C



We offer threaded rods in IFI, DIN and BS standards, with an output of 100 to 300 tons per month. The grade ranges from 4.8, 5.8, 6.8, 8.8, 10.9. IFI or BS is from 0-14 in, while in DIN form 0-6 m. Materials: carbon steel and stainless steel (SUS304, SUS316). The washer is made of iron, brass, aluminum and stainless steel which size is from M3 to M30. All items surface treatments are available in ZP, BZP HDG and plain etc.



B7 THREADED ROD
 1) Standard: ASTM A193
 2) Material: 42CrMo
 3) Strength grade: B7
 4) Size: H3-M100
 5) Surface: Plain, black, zinc plated, HDG, dacromat

DIN975 THREADED ROD



TM-154

DIN976 THREADED PIN



TM-155

NONSTANDARD



TM-NS001

NONSTANDARD



TM-NS002

NONSTANDARD



TM-NS003

CARBON STEEL, STAINLESS STEEL
ZINC PLATED, NOT GALVANIZED, PLAIN

SIZE	L	SIZE	L
#8-32XL	FROM 1"-40"	M3-0.5XL	FROM 25-1000
#10-24XL	FROM 1"-40"	M4-0.7XL	FROM 25-1000
1/4"-20XL	FROM 1"-120"	M5-0.8XL	FROM 25-1000
5/16"-18XL	FROM 1"-120"	M6-1.0XL	FROM 25-3000
3/8"-16XL	FROM 1"-120"	M8-1.25XL	FROM 25-3000
7/16"-14XL	FROM 1"-120"	M10-1.5XL	FROM 25-3000
1/2"-13XL	FROM 1"-120"	M12-1.75XL	FROM 25-3000
5/8"-11XL	FROM 1"-120"	M14-1.75XL	FROM 25-3000
3/4"-10XL	FROM 1"-120"	M16-2.0XL	FROM 25-3000
1"-8XL	FROM 1"-120"	M18-2.25XL	FROM 25-3000
		M20-2.5XL	FROM 25-3000
		M22-2.75XL	FROM 25-3000
		M24-3.0XL	FROM 25-3000
		M25-3.25XL	FROM 25-3000
		M28-3.5XL	FROM 25-3000
		M30-3.5XL	FROM 25-3000
		M33-3.5XL	FROM 25-3000
		M36-4.0XL	FROM 25-3000
		M42-5.0XL	FROM 25-3000

NONSTANDARD



TM-NS004

NONSTANDARD



TM-NS005

■ NONSTANDARD



TM-NS006

■ NONSTANDARD



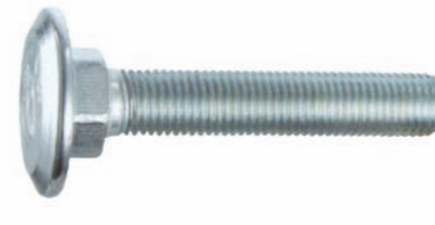
TM-NS007

■ NONSTANDARD



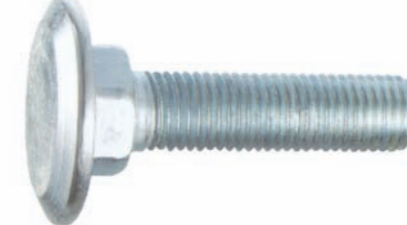
TM-NS008

■ NONSTANDARD



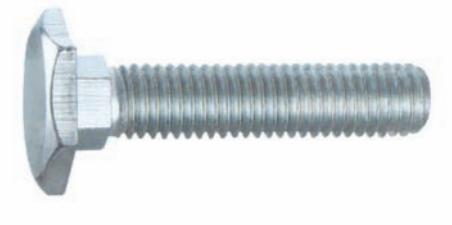
TM-NS018

■ NONSTANDARD



TM-NS019

■ NONSTANDARD



TM-NS020

■ NONSTANDARD



TM-NS009

■ NONSTANDARD



TM-NS010

■ NONSTANDARD



TM-NS011

■ NONSTANDARD



TM-NS021

■ NONSTANDARD



TM-NS022

■ NONSTANDARD



TM-NS023

■ NONSTANDARD



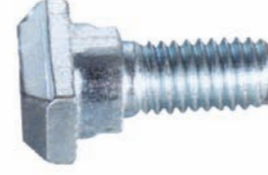
TM-NS012

■ NONSTANDARD



TM-NS013

■ NONSTANDARD



TM-NS014

■ NONSTANDARD



TM-NS024

■ NONSTANDARD



TM-NS025

■ NONSTANDARD



TM-NS026

■ NONSTANDARD



TM-NS015

■ NONSTANDARD



TM-NS016

■ NONSTANDARD



TM-NS017

■ NONSTANDARD



TM-NS027

■ NONSTANDARD



TM-NS028

